



★ RCJTY50-XL-N

Flanged housing unit

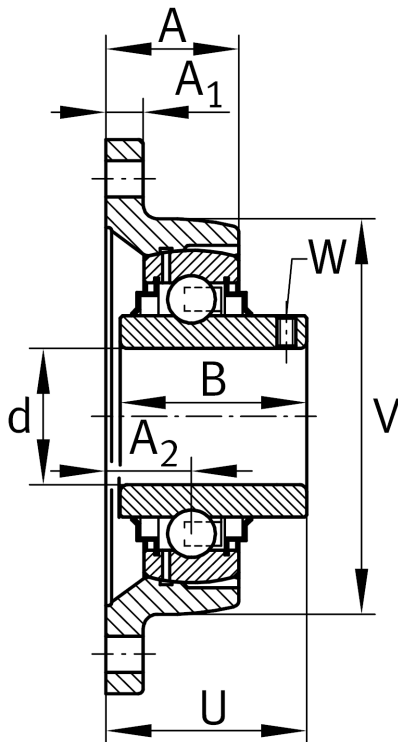
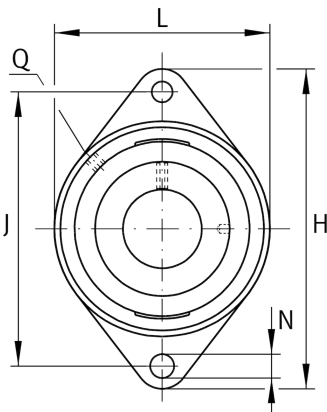
Schaeffler ID:
0008645600000

Housing units RCJTY, two-bolt flanged housing units, cast iron, grub screws in inner ring, R seals

★ Preferred product

X-life

Technical information



Main Dimensions & Performance Data

d	50 mm	Bore diameter
L	116 mm	Flange width
H	190 mm	Height flange
U	60,6 mm	Total height unit
C _r	37.500 N	Basic dynamic load rating, radial
C _{0r}	23.200 N	Basic static load rating, radial
C _{ur}	1.210 N	Fatigue load limit, radial
	2 kg	Weight

Dimensions

A	39 mm	Height housing
A ₁	13 mm	Thickness of flange
A ₂	28 mm	Distance raceway
B	51,6 mm	Width
V	116 mm	Shoulder diameter housing
Q	Rp1/8	Connection thread lubrication

Mounting dimensions

J	157 mm	Distance fixing bore
N	18 mm	Fixing bore
n	2	Number of screwing holes

Additional information

	1	Number of housings
	CJT10	Housing
	GYE50-XL-KRR-B	Bearing designation
	KASK10	Protecting cap