



## ★ RCJTY30-XL-N

Flanged housing unit

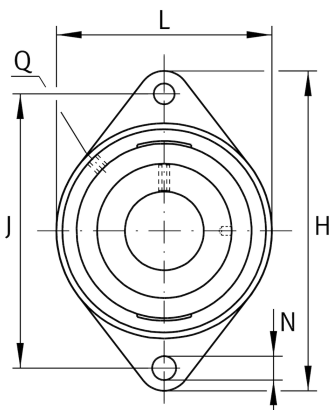
Schaeffler ID:  
0008687790000

Housing units RCJTY, two-bolt flanged housing units, cast iron, grub screws in inner ring, R seals

★ Preferred product

X-life

### Technical information



#### Main Dimensions & Performance Data

d	30 mm	Bore diameter
L	80 mm	Flange width
H	142 mm	Height flange
U	42,2 mm	Total height unit
C <sub>r</sub>	19.500 N	Basic dynamic load rating, radial
C <sub>0r</sub>	11.300 N	Basic static load rating, radial
C <sub>ur</sub>	480 N	Fatigue load limit, radial
	0,83 kg	Weight

#### Dimensions

A	29 mm	Height housing
A <sub>1</sub>	12 mm	Thickness of flange
A <sub>2</sub>	20 mm	Distance raceway
B	38,1 mm	Width
V	80 mm	Shoulder diameter housing
Q	M6	Connection thread lubrication

#### Mounting dimensions

J	116,5 mm	Distance fixing bore
N	11.5 mm	Fixing bore
n	2	Number of screwing holes

#### Additional information

	1	Number of housings
	CJT06	Housing
	GYE30-XL-KRR-B	Bearing designation
	KASK06	Protecting cap

