



★ RATY30-XL

Flanged housing unit

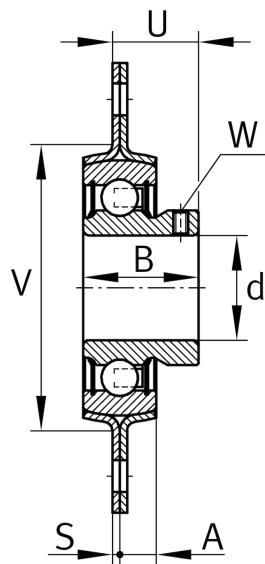
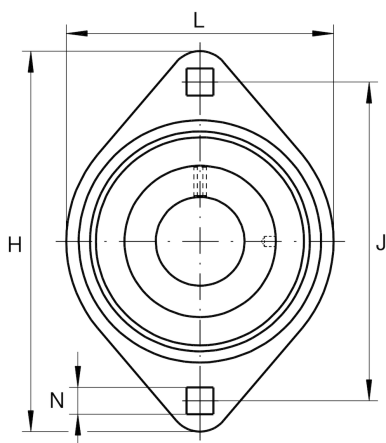
Schaeffler ID:
0008715080000

Housing units RATY, two-bolt flanged housing units, sheet steel, grub screws in inner ring, P seals

★ Preferred product

X-life

Technical information



Main Dimensions & Performance Data

d	30 mm	Bore diameter
L	84 mm	Flange width
H	112,7 mm	Height flange
H	112,7 mm	Flange width
U	23,5 mm	Total height unit
C_r	19.500 N	Basic dynamic load rating, radial
C_{0r}	11.300 N	Basic static load rating, radial
C_{ur}	480 N	Fatigue load limit, radial
C_{0rG}	5.000 N	Load carrying capacity (housing)
C_g	5.000 N	Load carrying capacity (housing)
	0,42 kg	Weight

Dimensions

A	8,7 mm	Height housing
B	30 mm	Width
S_1	2,5 mm	Thickness of flange
S	2,5 mm	Thickness of flange
V	71 mm	Shoulder diameter housing

Mounting dimensions

J	90,5 mm	Distance fixing bore
N	10,5 mm	Fixing bore
N	10,5 mm	Fixing square
n	2	Number of screwing holes

Additional information

	2	Number of housings
	FLAN62-MST	Housing
	AY30-XL-NPP-B	Bearing designation