



## ★ RCJTY45-XL

Flanged housing unit

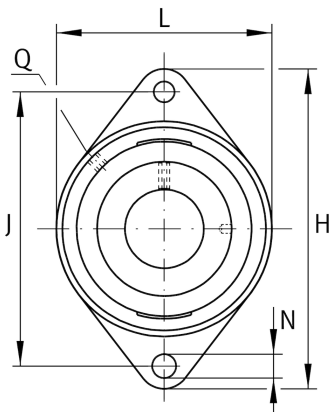
Schaeffler ID:  
0008756190000

Housing units RCJTY, two-bolt flanged housing units, cast iron, grub screws in inner ring, R seals

★ Preferred product

X-life

### Technical information



### Main Dimensions & Performance Data

d	45 mm	Bore diameter
L	111 mm	Flange width
H	180 mm	Height flange
U	54,2 mm	Total height unit
C <sub>r</sub>	34.500 N	Basic dynamic load rating, radial
C <sub>0r</sub>	20.400 N	Basic static load rating, radial
C <sub>ur</sub>	1.060 N	Fatigue load limit, radial
	1,8 kg	Weight

### Dimensions

A	35 mm	Height housing
A <sub>1</sub>	13 mm	Thickness of flange
A <sub>2</sub>	24 mm	Distance raceway
B	49,2 mm	Width
V	111 mm	Shoulder diameter housing
Q	Rp1/8	Connection thread lubrication

### Mounting dimensions

J	148,5 mm	Distance fixing bore
N	14 mm	Fixing bore
n	2	Number of screwing holes

### Additional information

	1	Number of housings
	CJT09	Housing
	GYE45-XL-KRR-B	Bearing designation

