



## ★ RASE65-214-XL

Plummer block housing unit

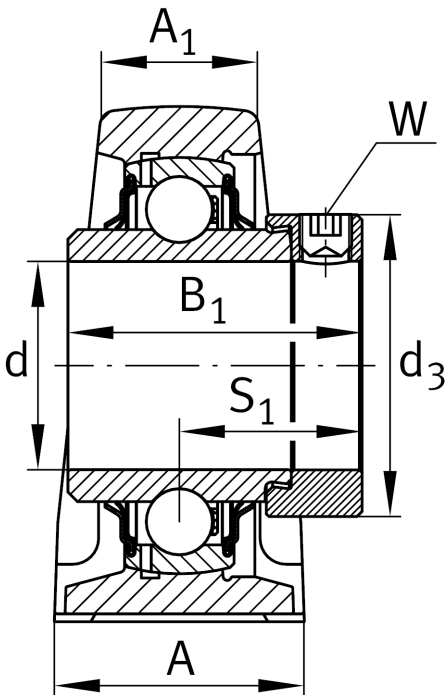
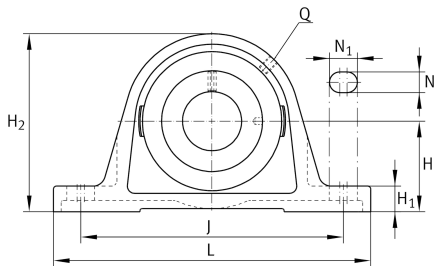
Schaeffler ID:  
0008774680000

Plummer block housing units RASE, cast iron housing, radial insert ball bearing with eccentric locking collar, R seals

★ Preferred product

X-life

### Technical information



### Main Dimensions & Performance Data

d	65 mm	Bore diameter
L	260 mm	Length total
H <sub>2</sub>	156 mm	Height
	6,48 kg	Weight

### Dimensions

H	79,4 mm	Distance shaft axis
A	65 mm	Width (base)
A <sub>1</sub>	44 mm	Width (head)
H <sub>1</sub>	27,5 mm	Height (base)
Q	Rp1/8	Connection thread lubrication

### Mounting dimensions

J	202,5 mm	Distance fixing bore
N	22 mm	Width (slot)
N <sub>1</sub>	28 mm	Length (slot)

### Additional information

ASE14	Housing
GE65-214-XL-KRR-B	Bearing designation