

★ RASE75-XL

Plummer block housing unit

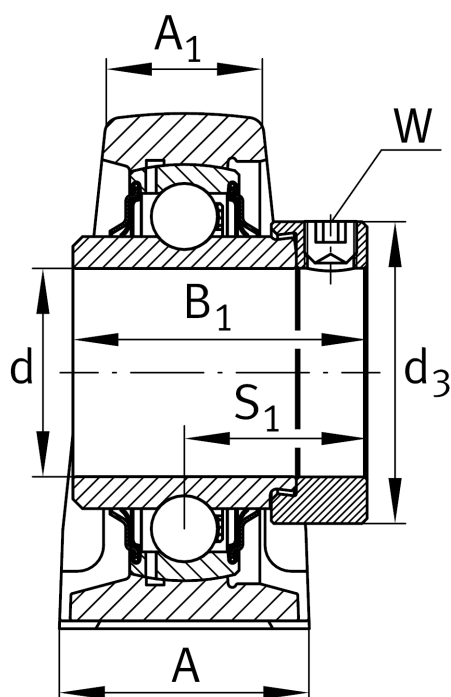
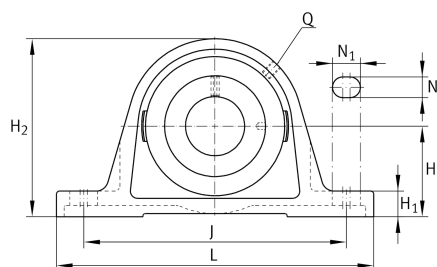
Schaeffler ID:
0008774840000

★ Preferred product

Plummer block housing units RASE, cast iron housing, radial insert ball bearing with eccentric locking collar, R seals

X-life

Technical information



Main Dimensions & Performance Data

d	75 mm	Bore diameter
L	265 mm	Length total
H ₂	164 mm	Height
	6,58 kg	Weight

Dimensions

H	82,5 mm	Distance shaft axis
A	66 mm	Width (base)
A ₁	48 mm	Width (head)
H ₁	27,5 mm	Height (base)
Q	M6	Connection thread lubrication

Mounting dimensions

J	210 mm	Distance fixing bore
N	22 mm	Width (slot)
N ₁	30 mm	Length (slot)

Additional information

ASE15	Housing
GE75-XL-KRR-B	Bearing designation