

★ RASE90-XL

Plummer block housing unit

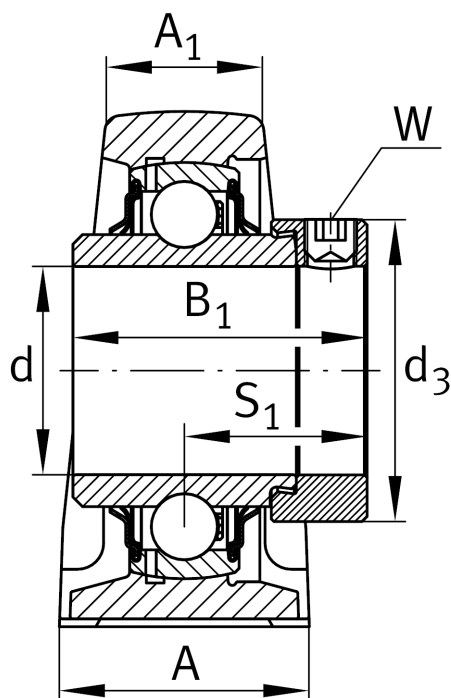
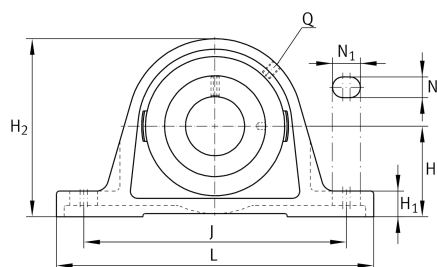
Schaeffler ID:
0008775650000

★ Preferred product

Plummer block housing units RASE, cast iron housing, radial insert ball bearing with eccentric locking collar, R seals

X-life

Technical information



Main Dimensions & Performance Data

d	90 mm	Bore diameter
L	330 mm	Length total
H ₂	200 mm	Height
	12,04 kg	Weight

Dimensions

H	101,6 mm	Distance shaft axis
A	85 mm	Width (base)
A ₁	55 mm	Width (head)
H ₁	35 mm	Height (base)
Q	M6	Connection thread lubrication

Mounting dimensions

J	268 mm	Distance fixing bore
N	27 mm	Width (slot)
N ₁	35 mm	Length (slot)

Additional information

ASE18	Housing
GE90-XL-KRR-B	Bearing designation