

★ RASE100-XL

Plummer block housing unit

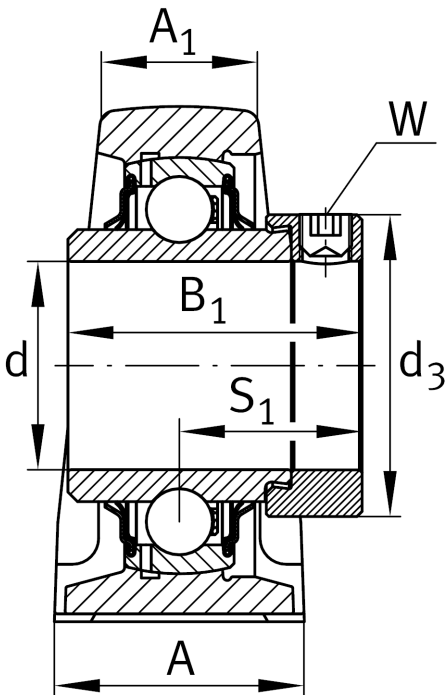
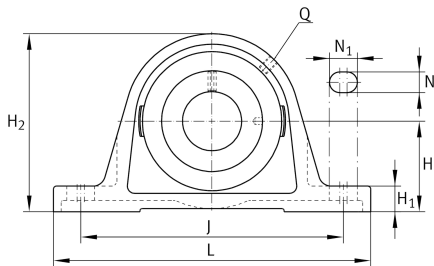
Schaeffler ID:
0008775730000

★ Preferred product

Plummer block housing units RASE, cast iron housing, radial insert ball bearing with eccentric locking collar, R seals

X-life

Technical information



Main Dimensions & Performance Data

d	100 mm	Bore diameter
L	380 mm	Length total
H ₂	225 mm	Height
	18,03 kg	Weight

Dimensions

H	115 mm	Distance shaft axis
A	95 mm	Width (base)
A ₁	62 mm	Width (head)
H ₁	40 mm	Height (base)
Q	M6	Connection thread lubrication

Mounting dimensions

J	308 mm	Distance fixing bore
N	30 mm	Width (slot)
N ₁	38 mm	Length (slot)

Additional information

ASE20	Housing
GE100-XL-KRR-B	Bearing designation