



## ★ RME120-XL

### Flanged housing unit

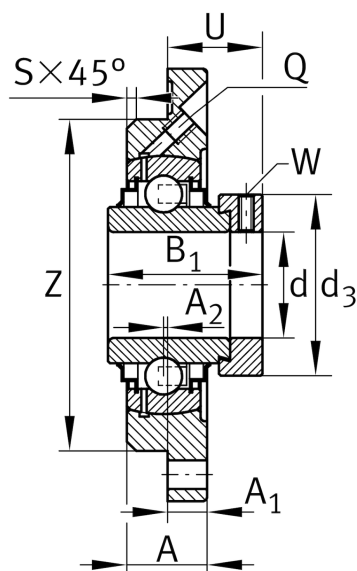
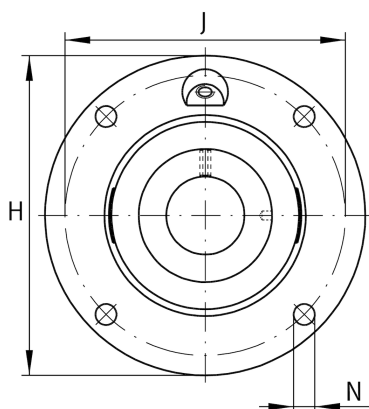
Schaeffler ID:  
0008776620000

★ Preferred product

Housing units RME, four-bolt flanged housing units, cast iron, centring spigot, eccentric locking collar, R seals

X-life

## Technical information



### Main Dimensions & Performance Data

d	120 mm	Bore diameter
H	350 mm	Height flange
B <sub>1</sub>	81 mm	Locking collar total width
U	56,5 mm	Total height unit
C <sub>r</sub>	155.000 N	Basic dynamic load rating, radial
C <sub>0r</sub>	131.000 N	Basic static load rating, radial
C <sub>ur</sub>	4.300 N	Fatigue load limit, radial
	17,74 kg	Weight

### Dimensions

A	40 mm	Height housing
A <sub>1</sub>	24 mm	Thickness of flange
A <sub>2</sub>	-4 mm	Distance raceway
S	3 mm	Chamfer width
Q	M6	Connection thread lubrication

### Mounting dimensions

J	295 mm	Pitch circle diameter (holes)
N	27 mm	Fixing bore
Z	250 mm	Diameter spigot
	h8	Diameter spigot clearance
n	4	Number of screwing holes

### Additional information

	1	Number of housings
	GG.ME24	Housing
	GE120-XL-KRR-B	Bearing designation