



★ RCJO80-XL

Flanged housing unit

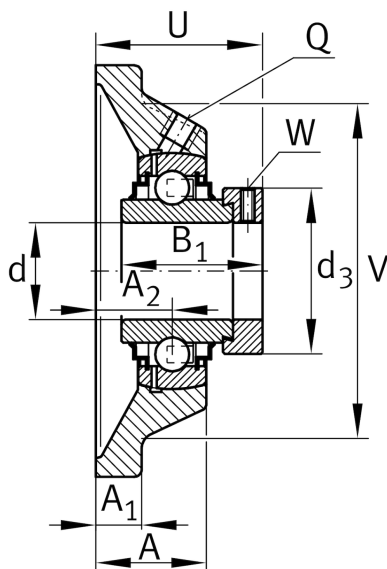
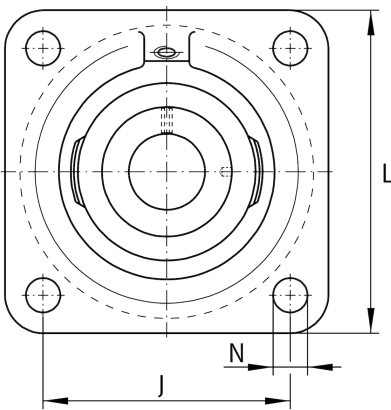
Schaeffler ID:
0008839990000

★ Preferred product

Housing units RCJO, four-bolt flanged housing units, cast iron, eccentric locking collar, series 63, R seals

X-life

Technical information



Main Dimensions & Performance Data

d	80 mm	Bore diameter
L	250 mm	Flange width
U	109,7 mm	Total height unit
C_r	123.000 N	Basic dynamic load rating, radial
C_{0r}	87.000 N	Basic static load rating, radial
C_{ur}	4.050 N	Fatigue load limit, radial
	16,5 kg	Weight

Dimensions

A	80 mm	Height housing
A_1	25 mm	Thickness of flange
A_2	50 mm	Distance raceway
V	210 mm	Shoulder diameter housing
Q	M6	Connection thread lubrication
d_3	118 mm	Outside diameter eccentric locking collar

Mounting dimensions

J	196 mm	Distance fixing bore
N	28 mm	Fixing bore
n	4	Number of screwing holes

Additional information

	1	Number of housings
	CJO16	Housing
	GNE80-XL-KRR-B	Bearing designation