



## ★ RCJO90-XL

### Flanged housing unit

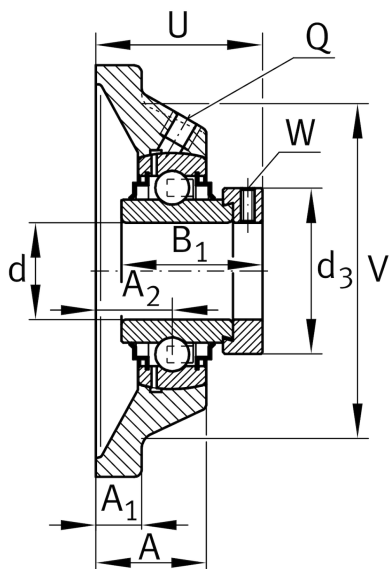
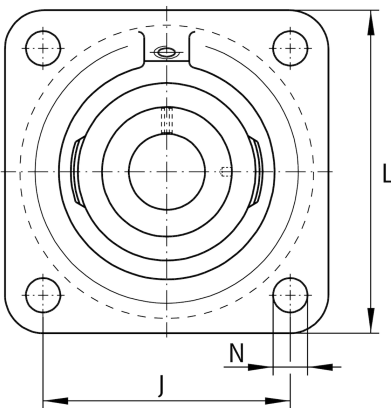
Schaeffler ID:  
0008840060000

Housing units RCJO, four-bolt flanged housing units, cast iron, eccentric locking collar, series 63, R seals

★ Preferred product

X-life

## Technical information



### Main Dimensions & Performance Data

|          |           |                                   |
|----------|-----------|-----------------------------------|
| d        | 90 mm     | Bore diameter                     |
| L        | 280 mm    | Flange width                      |
| U        | 114 mm    | Total height unit                 |
| $C_r$    | 143.000 N | Basic dynamic load rating, radial |
| $C_{0r}$ | 107.000 N | Basic static load rating, radial  |
| $C_{ur}$ | 3.850 N   | Fatigue load limit, radial        |
|          | 21,76 kg  | Weight                            |

### Dimensions

|       |         |   |
|-------|---------|---|
| A     | 85 mm   | Height housing                            |
| $A_1$ | 28,5 mm | Thickness of flange                       |
| $A_2$ | 48,5 mm | Distance raceway                          |
| V     | 230 mm  | Shoulder diameter housing                 |
| Q     | M6      | Connection thread lubrication             |
| $d_3$ | 132 mm  | Outside diameter eccentric locking collar |

### Mounting dimensions

|   |        |                          |
|---|--------|--------------------------|
| J | 216 mm | Distance fixing bore     |
| N | 28 mm  | Fixing bore              |
| n | 4      | Number of screwing holes |

### Additional information

|                |                     |
|----------------|---------------------|
| 1              | Number of housings  |
| CJO18          | Housing             |
| GNE90-XL-KRR-B | Bearing designation |