



## ★ RATY35-XL

Flanged housing unit

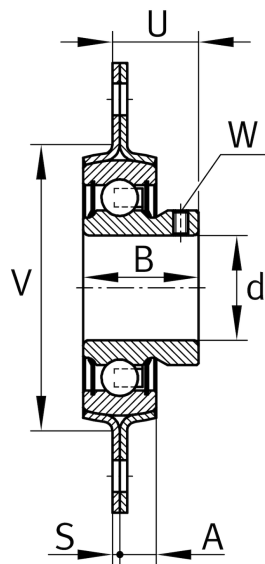
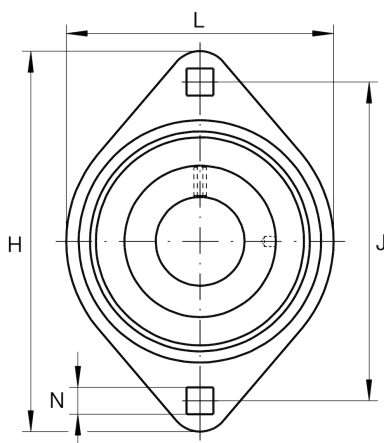
Schaeffler ID:  
0008844210000

★ Preferred product

Housing units RATY, two-bolt flanged housing units, sheet steel, grub screws in inner ring, P seals

X-life

### Technical information



### Main Dimensions & Performance Data

d	35 mm	Bore diameter
L	94 mm	Flange width
H	123 mm	Height flange
H	123 mm	Flange width
U	28 mm	Total height unit
$C_r$	27.500 N	Basic dynamic load rating, radial
$C_{0r}$	15.300 N	Basic static load rating, radial
$C_{ur}$	800 N	Fatigue load limit, radial
$C_{0rG}$	6.300 N	Load carrying capacity (housing)
$C_g$	6.300 N	Load carrying capacity (housing)
	0,6 kg	Weight

### Dimensions

A	10,5 mm	Height housing
B	35 mm	Width
$S_1$	2,5 mm	Thickness of flange
S	2,5 mm	Thickness of flange
V	81 mm	Shoulder diameter housing

### Mounting dimensions

J	100 mm	Distance fixing bore
N	10.5 mm	Fixing bore
N	10,5 mm	Fixing square
n	2	Number of screwing holes

### Additional information

	2	Number of housings
	FLAN72-MST	Housing
	GAY35-XL-NPP-B	Bearing designation