



★ PCCJ30

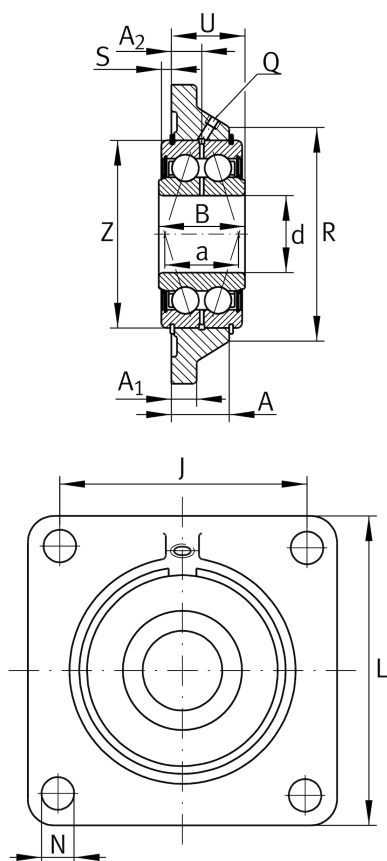
Flanged housing unit

Schaeffler ID:
0008905290000

★ Preferred product

Housing units PCCJ, four-bolt flanged housing units, cast iron, double row angular contact ball bearing, P seals

Technical information



Main Dimensions & Performance Data

d	30 mm	Bore diameter
L	108 mm	Flange width
U	29,7 mm	Total height unit
C _r	30.000 N	Basic dynamic load rating, radial
C _{0r}	21.400 N	Basic static load rating, radial
C _{ur}	1.120 N	Fatigue load limit, radial
	1,12 kg	Weight

Dimensions

A	24 mm	Height housing
A ₁	12 mm	Thickness of flange
A ₂	13 mm	Distance raceway
B	34 mm	Width
Q	M6	Connection thread lubrication

Mounting dimensions

J	82,5 mm	Distance fixing bore
N	11.5 mm	Fixing bore
n	4	Number of screwing holes

Additional information

	1	Number of housings
	CCJ06	Housing
	G5206-2RS-N	Bearing designation