



★ PCCJ40

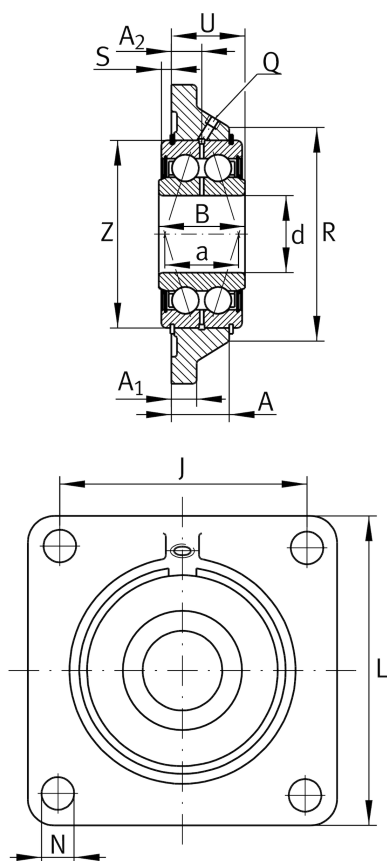
Flanged housing unit

Schaeffler ID:
0008905450000

★ Preferred product

Housing units PCCJ, four-bolt flanged housing units, cast iron, double row angular contact ball bearing, P seals

Technical information



Main Dimensions & Performance Data

d	40 mm	Bore diameter
L	130 mm	Flange width
U	33,7 mm	Total height unit
C _r	50.000 N	Basic dynamic load rating, radial
C _{0r}	38.000 N	Basic static load rating, radial
C _{ur}	1.970 N	Fatigue load limit, radial
	2,01 kg	Weight

Dimensions

A	28 mm	Height housing
A ₁	14 mm	Thickness of flange
A ₂	15 mm	Distance raceway
B	38 mm	Width
Q	M6	Connection thread lubrication

Mounting dimensions

J	101,5 mm	Distance fixing bore
N	14 mm	Fixing bore
n	4	Number of screwing holes

Additional information

	1	Number of housings
	CCJ08	Housing
	G5208-2RS-N	Bearing designation