

★ PSHEY25-XL-N

Plummer block housing unit

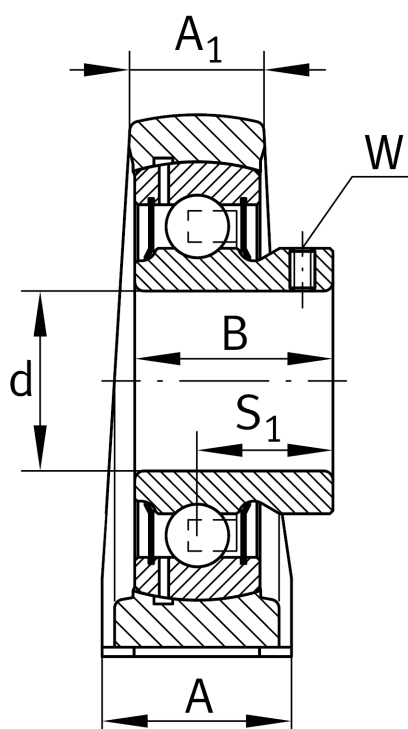
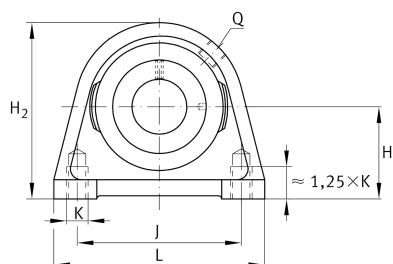
Schaeffler ID:
0008915330000

★ Preferred product

Plummer block housing units PSHEY, cast iron housing, radial insert ball bearing with grub screws in inner ring, P seals

X-life

Technical information



Main Dimensions & Performance Data

d	25 mm	Bore diameter
L	70 mm	Length total
H ₂	70 mm	Height
	0,51 kg	Weight

Dimensions

H	36,5 mm	Distance shaft axis
A	36 mm	Width (base)
A ₁	21 mm	Width (head)
Q	M6	Connection thread lubrication

Mounting dimensions

J	50,8 mm	Distance fixing bore
K	M10	Thread fixing bore

Additional information

SHE05	Housing
GAY25-XL-NPP-B	Bearing designation
KASK05	Protecting cap