



★ FLCTEY30-XL

Flanged housing unit

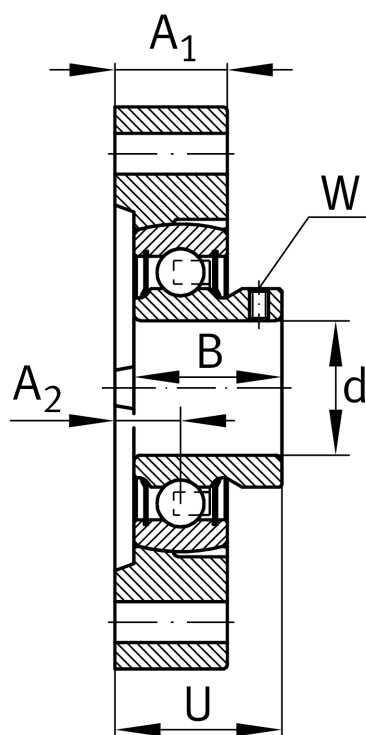
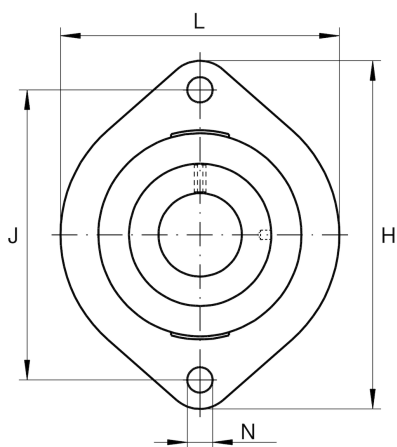
Schaeffler ID:
0008938700000

★ Preferred product

Housing units FLCTEY, two-bolt flanged housing units, cast iron, grub screws in inner ring, P seals, without relubrication facility

X-life

Technical information



Main Dimensions & Performance Data

| | | |
|----------|----------|-----------------------------------|
| d | 30 mm | Bore diameter |
| L | 84 mm | Flange width |
| H | 112,5 mm | Height flange |
| U | 32,4 mm | Total height unit |
| C_r | 19.500 N | Basic dynamic load rating, radial |
| C_{0r} | 11.300 N | Basic static load rating, radial |
| C_{ur} | 480 N | Fatigue load limit, radial |
| | 0,68 kg | Weight |

Dimensions

| | | |
|-------|---------|---|
| A_1 | 22,5 mm | Thickness of flange |
| A_2 | 11,4 mm | Distance raceway |
| d_3 | 37,5 mm | Outside diameter eccentric locking collar |

Mounting dimensions

| | | |
|---|---------|-------------------------------|
| J | 90,5 mm | Distance fixing bore |
| J | 90,5 mm | Pitch circle diameter (holes) |
| N | 11,5 mm | Fixing bore |
| n | 2 | Number of screwing holes |

Additional information

| | | |
|--|---------------|---------------------|
| | 1 | Number of housings |
| | LCTE06 | Housing |
| | AY30-XL-NPP-B | Bearing designation |