

★ RSAO35-XL

Plummer block housing unit

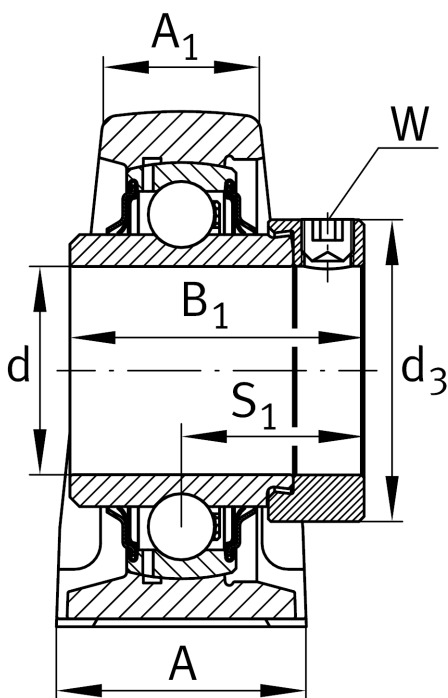
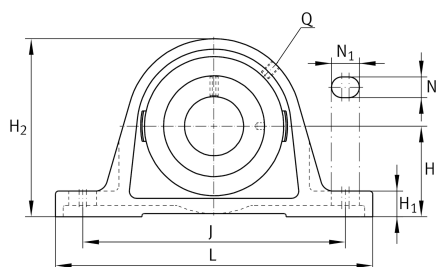
Schaeffler ID:
0008990620000

★ Preferred product

Plummer block housing units RSAO, cast iron housing, radial insert ball bearing with eccentric locking collar, R seals

X-life

Technical information



Main Dimensions & Performance Data

d	35 mm	Bore diameter
L	210 mm	Length total
H ₂	106 mm	Height
	2,43 kg	Weight

Dimensions

H	56 mm	Distance shaft axis
A	56 mm	Width (base)
A ₁	30 mm	Width (head)
H ₁	20 mm	Height (base)
Q	M6	Connection thread lubrication

Mounting dimensions

J	160 mm	Distance fixing bore
N	17,5 mm	Width (slot)
N ₁	25,5 mm	Length (slot)

Additional information

SAO07	Housing
GNE35-XL-KRR-B	Bearing designation