



★ RSHEY50-XL-N

Plummer block housing unit

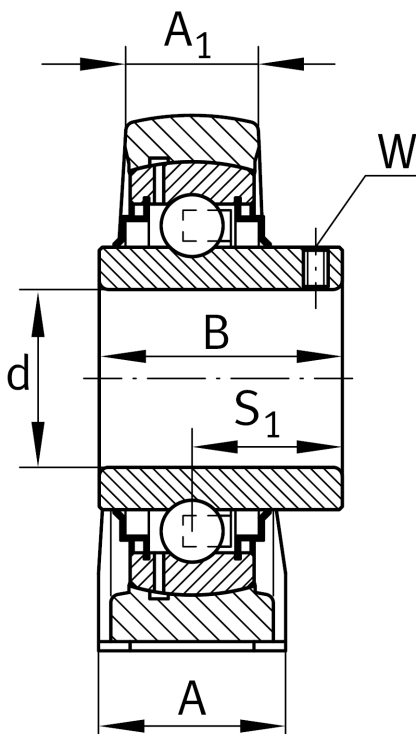
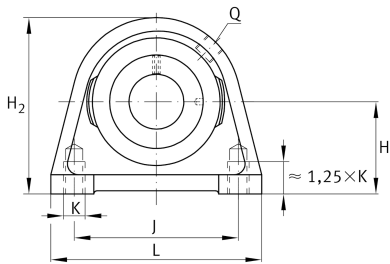
Schaeffler ID:
0009147540000

★ Preferred product

Plummer block housing units RSHEY, cast iron housing, radial insert ball bearing with grub screws in inner ring, R seals

X-life

Technical information



Main Dimensions & Performance Data

d	50 mm	Bore diameter
L	135 mm	Length total
H ₂	115 mm	Height
	2,29 kg	Weight

Dimensions

H	57,2 mm	Distance shaft axis
A	54 mm	Width (base)
A ₁	34 mm	Width (head)
Q	M6	Connection thread lubrication

Mounting dimensions

J	101,6 mm	Distance fixing bore
K	M16	Thread fixing bore

Additional information

SHE10	Housing
GYE50-XL-KRR-B	Bearing designation
KASK10	Protecting cap