



★ RME45-XL

Flanged housing unit

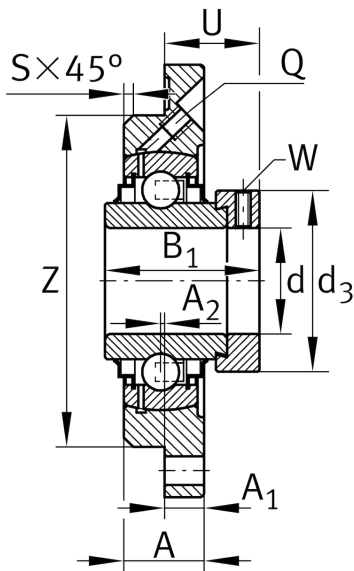
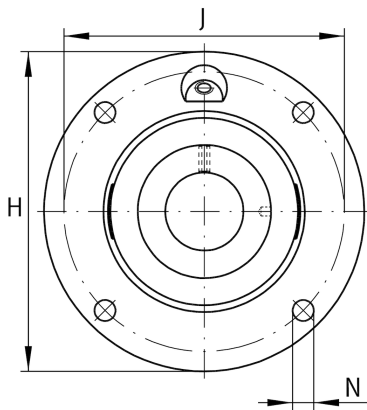
Schaeffler ID:
0009395950000

★ Preferred product

Housing units RME, four-bolt flanged housing units, cast iron, centring spigot, eccentric locking collar, R seals

X-life

Technical information



Main Dimensions & Performance Data

| | | |
|-----------------|----------|-----------------------------------|
| d | 45 mm | Bore diameter |
| H | 155 mm | Height flange |
| B ₁ | 56,5 mm | Locking collar total width |
| U | 32,9 mm | Total height unit |
| C _r | 32.500 N | Basic dynamic load rating, radial |
| C _{0r} | 20.400 N | Basic static load rating, radial |
| C _{ur} | 970 N | Fatigue load limit, radial |
| | 2 kg | Weight |

Dimensions

| | | |
|----------------|-------|-------------------------------|
| A | 25 mm | Height housing |
| A ₁ | 12 mm | Thickness of flange |
| A ₂ | 2 mm | Distance raceway |
| S | 2 mm | Chamfer width |
| Q | M6 | Connection thread lubrication |

Mounting dimensions

| | | |
|---|--------|-------------------------------|
| J | 130 mm | Pitch circle diameter (holes) |
| N | 14 mm | Fixing bore |
| Z | 105 mm | Diameter spigot |
| | h8 | Diameter spigot clearance |
| n | 4 | Number of screwing holes |

Additional information

| | | |
|--|---------------|---------------------|
| | 1 | Number of housings |
| | GG.ME09 | Housing |
| | GE45-XL-KRR-B | Bearing designation |