



★ TME40-XL-N

Flanged housing unit

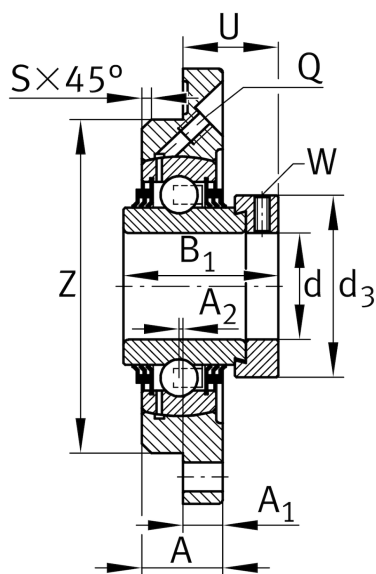
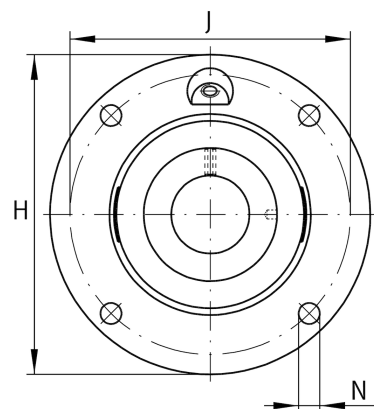
Schaeffler ID:
0009425020000

Flanged housing unit TME...XL-N

★ Preferred product

X-life

Technical information



Main Dimensions & Performance Data

d	40 mm	Bore diameter
H	145 mm	Height flange
B ₁	56,5 mm	Locking collar total width
U	33,9 mm	Total height unit
C _r	34.500 N	Basic dynamic load rating, radial
C _{0r}	19.800 N	Basic static load rating, radial
C _{ur}	840 N	Fatigue load limit, radial
	1,74 kg	Weight

Dimensions

A	23 mm	Height housing
A ₁	11,5 mm	Thickness of flange
A ₂	1 mm	Distance raceway
S	2 mm	Chamfer width
Q	M6	Connection thread lubrication

Mounting dimensions

J	120 mm	Distance fixing bore
J	120 mm	Pitch circle diameter (holes)
N	11.5 mm	Fixing bore
Z	100 mm	Diameter spigot
	h8	Diameter spigot clearance
n	4	Number of screwing holes

Additional information

	1	Number of housings
	GG.ME08-G	Housing
	GE40-XL-KTT-B	Bearing designation
	KASK08	Protecting cap