



## ★ RMEY40-XL-N

Flanged housing unit

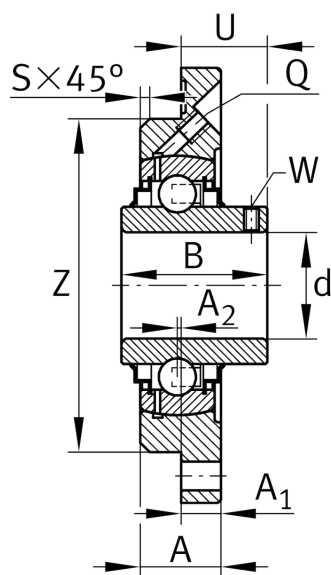
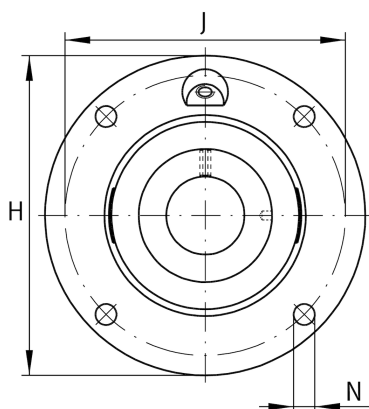
Schaeffler ID:  
0009425100000

★ Preferred product

Housing units RMEY, four-bolt flanged housing units, cast iron, centring spigot, grub screws in inner ring, R seals

X-life

### Technical information



### Main Dimensions & Performance Data

d	40 mm	Bore diameter
H	145 mm	Height flange
U	29,2 mm	Total height unit
C <sub>r</sub>	34.500 N	Basic dynamic load rating, radial
C <sub>0r</sub>	19.800 N	Basic static load rating, radial
C <sub>ur</sub>	840 N	Fatigue load limit, radial
	1,61 kg	Weight

### Dimensions

A	23 mm	Height housing
A <sub>1</sub>	11,5 mm	Thickness of flange
A <sub>2</sub>	1 mm	Distance raceway
B	49,2 mm	Width
S	2 mm	Chamfer width
Q	M6	Connection thread lubrication

### Mounting dimensions

J	120 mm	Pitch circle diameter (holes)
N	11.5 mm	Fixing bore
Z	100 mm	Diameter spigot
	h8	Diameter spigot clearance
n	4	Number of screwing holes

### Additional information

	1	Number of housings
	ME08	Housing
	GYE40-XL-KRR-B	Bearing designation
	KASK08	Protecting cap