



## ★ RSAO30-XL

Plummer block housing unit

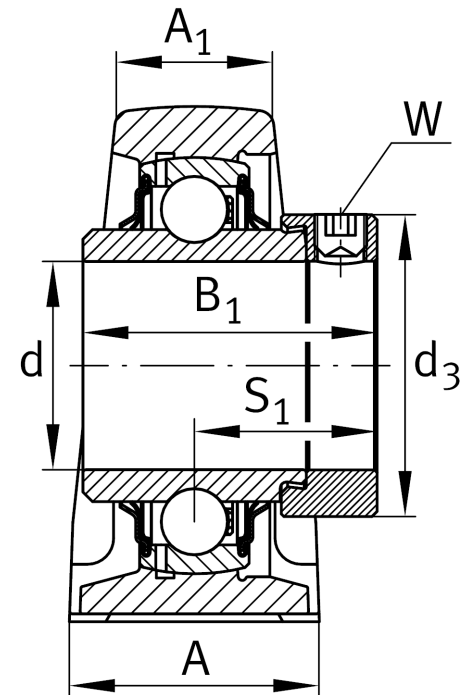
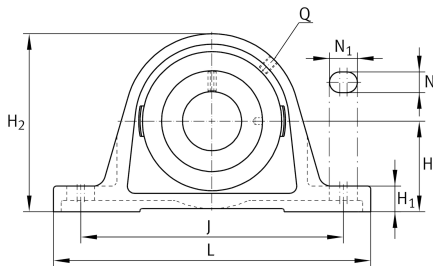
Schaeffler ID:  
0009451880000

★ Preferred product

Plummer block housing units RSAO, cast iron housing, radial insert ball bearing with eccentric locking collar, R seals

X-life

### Technical information



### Main Dimensions & Performance Data

d	30 mm	Bore diameter
L	180 mm	Length total
H <sub>2</sub>	95 mm	Height
	1,86 kg	Weight

### Dimensions

H	50 mm	Distance shaft axis
A	50 mm	Width (base)
A <sub>1</sub>	28 mm	Width (head)
H <sub>1</sub>	18 mm	Height (base)
Q	M6	Connection thread lubrication

### Mounting dimensions

J	140 mm	Distance fixing bore
N	17,5 mm	Width (slot)
N <sub>1</sub>	20,5 mm	Length (slot)

### Additional information

SAO06	Housing
GNE30-XL-KRR-B	Bearing designation