

## ★ RSAO40-XL

Plummer block housing unit

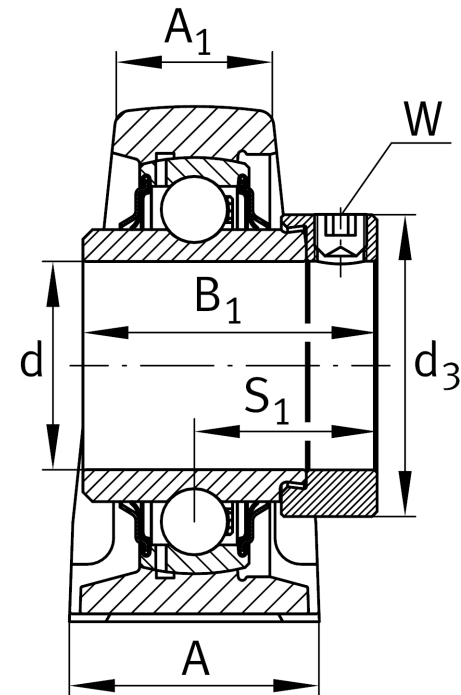
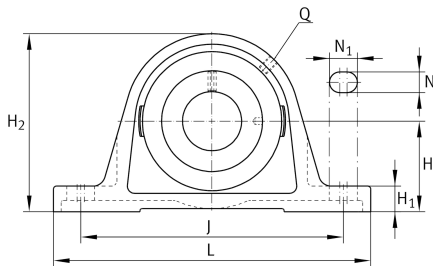
Schaeffler ID:  
0009452260000

★ Preferred product

Plummer block housing units RSAO, cast iron housing, radial insert ball bearing with eccentric locking collar, R seals

X-life

### Technical information



### Main Dimensions & Performance Data

|                |        |               |
|----------------|--------|---------------|
| d              | 40 mm  | Bore diameter |
| L              | 220 mm | Length total  |
| H <sub>2</sub> | 116 mm | Height        |
|                | 3,1 kg | Weight        |

### Dimensions

|                |       |                               |
|----------------|-------|-------------------------------|
| H              | 60 mm | Distance shaft axis           |
| A              | 60 mm | Width (base)                  |
| A <sub>1</sub> | 31 mm | Width (head)                  |
| H <sub>1</sub> | 22 mm | Height (base)                 |
| Q              | M6    | Connection thread lubrication |

### Mounting dimensions

|                |         |                      |
|----------------|---------|----------------------|
| J              | 170 mm  | Distance fixing bore |
| N              | 17,5 mm | Width (slot)         |
| N <sub>1</sub> | 27,5 mm | Length (slot)        |

### Additional information

|                |                     |
|----------------|---------------------|
| SAO08          | Housing             |
| GNE40-XL-KRR-B | Bearing designation |