



★ PMEY25-XL-N

Flanged housing unit

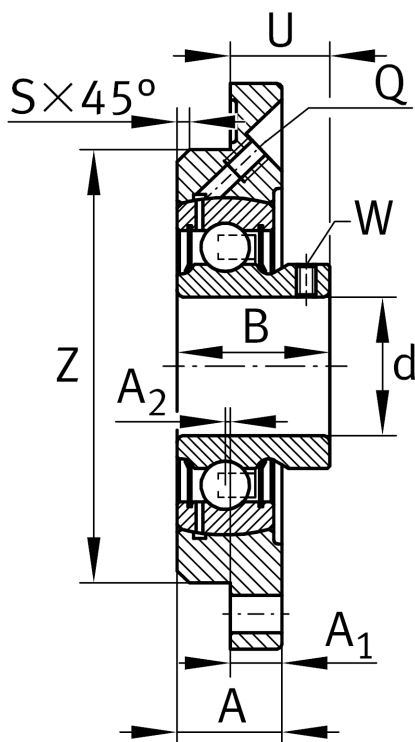
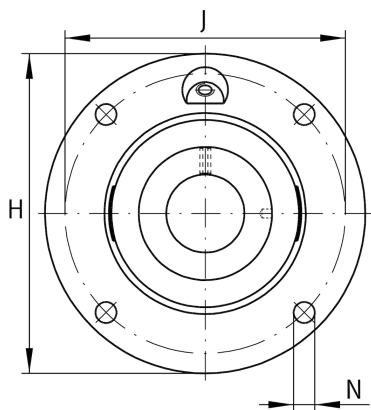
Schaeffler ID:
0009470320000

★ Preferred product

Housing units PMEY, four-bolt flanged housing units, cast iron, centring spigot, grub screws in inner ring, P seals

X-life

Technical information



Main Dimensions & Performance Data

d	25 mm	Bore diameter
H	115 mm	Height flange
U	17 mm	Total height unit
C _r	14.000 N	Basic dynamic load rating, radial
C _{0r}	7.800 N	Basic static load rating, radial
C _{ur}	335 N	Fatigue load limit, radial
	0,71 kg	Weight

Dimensions

A	19 mm	Height housing
A ₁	9 mm	Thickness of flange
A ₂	2,5 mm	Distance raceway
B	27 mm	Width
S	2 mm	Chamfer width
Q	M6	Connection thread lubrication

Mounting dimensions

J	90 mm	Pitch circle diameter (holes)
N	9 mm	Fixing bore
Z	70 mm	Diameter spigot
	h8	Diameter spigot clearance
n	4	Number of screwing holes

Additional information

1	Number of housings
ME05	Housing
GAY25-XL-NPP-B	Bearing designation
KASK05	Protecting cap