



★ RMEY60-XL-N

Flanged housing unit

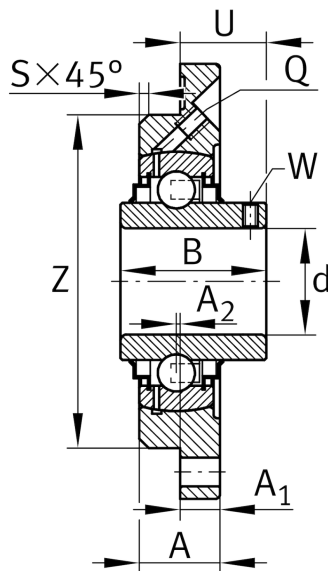
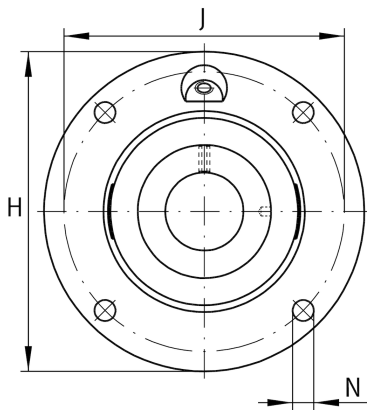
Schaeffler ID:
0009490860000

★ Preferred product

Housing units RMEY, four-bolt flanged housing units, cast iron, centring spigot, grub screws in inner ring, R seals

X-life

Technical information



Main Dimensions & Performance Data

d	60 mm	Bore diameter
H	195 mm	Height flange
U	38,7 mm	Total height unit
C _r	56.000 N	Basic dynamic load rating, radial
C _{0r}	36.000 N	Basic static load rating, radial
C _{ur}	1.870 N	Fatigue load limit, radial
	3,71 kg	Weight

Dimensions

A	29 mm	Height housing
A ₁	16 mm	Thickness of flange
A ₂	1 mm	Distance raceway
B	65,1 mm	Width
S	3 mm	Chamfer width
Q	M6	Connection thread lubrication

Mounting dimensions

J	160 mm	Pitch circle diameter (holes)
N	18 mm	Fixing bore
Z	135 mm	Diameter spigot
	h8	Diameter spigot clearance
n	4	Number of screwing holes

Additional information

	1	Number of housings
	ME12	Housing
	GYE60-XL-KRR-B	Bearing designation
	KASK12	Protecting cap