



★ PMEY50-XL-N

Flanged housing unit

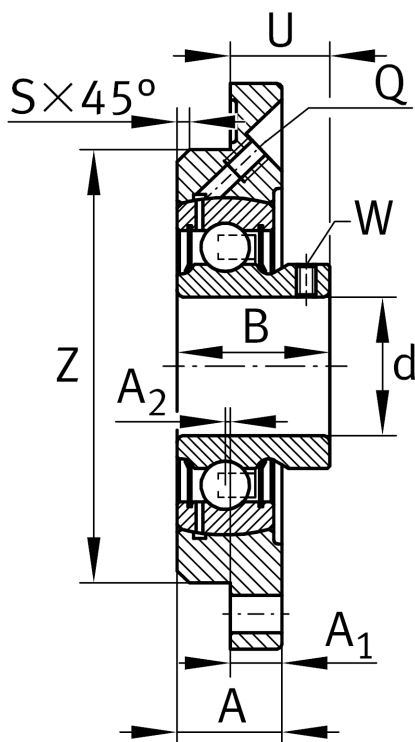
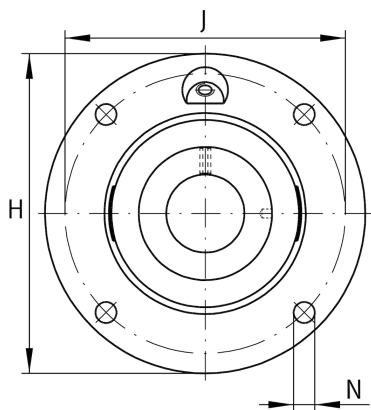
Schaeffler ID:
0009491080000

★ Preferred product

Housing units PMEY, four-bolt flanged housing units, cast iron, centring spigot, grub screws in inner ring, P seals

X-life

Technical information



Main Dimensions & Performance Data

d	50 mm	Bore diameter
H	165 mm	Height flange
U	31 mm	Total height unit
C _r	37.500 N	Basic dynamic load rating, radial
C _{0r}	23.200 N	Basic static load rating, radial
C _{ur}	1.210 N	Fatigue load limit, radial
	2,03 kg	Weight

Dimensions

A	25 mm	Height housing
A ₁	13 mm	Thickness of flange
A ₂	1 mm	Distance raceway
B	43 mm	Width
S	3 mm	Chamfer width
Q	M8X1	Connection thread lubrication

Mounting dimensions

J	135 mm	Pitch circle diameter (holes)
N	14 mm	Fixing bore
Z	110 mm	Diameter spigot
	h8	Diameter spigot clearance
n	4	Number of screwing holes

Additional information

1	Number of housings
ME10	Housing
GAY50-XL-NPP-B	Bearing designation
KASK10	Protecting cap