



★ RCJTY60-XL-N

Flanged housing unit

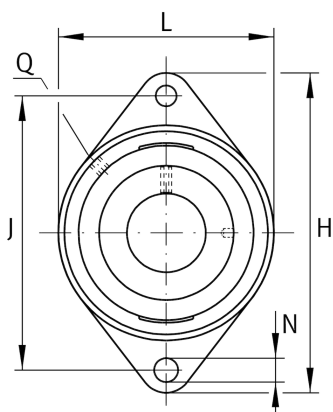
Schaeffler ID:
0009503510000

Housing units RCJTY, two-bolt flanged housing units, cast iron, grub screws in inner ring, R seals

★ Preferred product

X-life

Technical information



Main Dimensions & Performance Data

d	60 mm	Bore diameter
L	138 mm	Flange width
H	238 mm	Height flange
U	73,7 mm	Total height unit
C _r	56.000 N	Basic dynamic load rating, radial
C _{0r}	36.000 N	Basic static load rating, radial
C _{ur}	1.870 N	Fatigue load limit, radial
	3,46 kg	Weight

Dimensions

A	46 mm	Height housing
A ₁	16 mm	Thickness of flange
A ₂	34 mm	Distance raceway
B	65,1 mm	Width
V	138 mm	Shoulder diameter housing
Q	Rp1/8	Connection thread lubrication

Mounting dimensions

J	202 mm	Distance fixing bore
N	18 mm	Fixing bore
n	2	Number of screwing holes

Additional information

1	Number of housings
CJT12	Housing
GYE60-XL-KRR-B	Bearing designation
KASK12	Protecting cap

