

## ★ PHUSE25-XL

Take-up housing unit

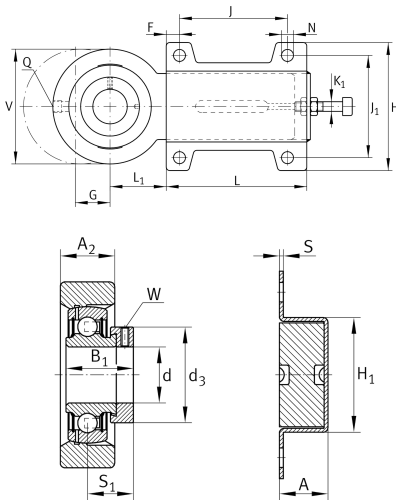
Schaeffler ID:  
0009649210000

★ Preferred product

Take-up housing units PHUSE, cast iron and sheet steel housing, radial insert ball bearing with eccentric locking collar, P seals

X-life

### Technical information



### Main Dimensions & Performance Data

d	25 mm	Bore diameter
H	103 mm	Height flange
A	28 mm	Height housing
V	78 mm	Shoulder diameter housing
L	187 mm	Length total
$C_{0rG}$	7.800 N	Load carrying capacity (housing)
	2,535 kg	Weight

### Dimensions

$L_1$	50 mm	Distance shaft axis
$A_2$	22 mm	Width housing
$H_1$	52 mm	Height guidance
$K_1$	M12	Thread adjusting screw
S	4 mm	Thickness of flange
F	20 mm	Distance fixing bore outside
G	65 mm	Axial displacement
Q	M6	Connection thread lubrication

### Mounting dimensions

N	11.5 mm	Fixing bore
J	140 mm	Distance fixing bore
$J_1$	80 mm	Bore distance width

### Additional information

HUE05	Housing
HUSE07	Housing (Part 2)
GRAE25-XL-NPP-B	Bearing designation