

## ★ PHUSE30-XL

Take-up housing unit

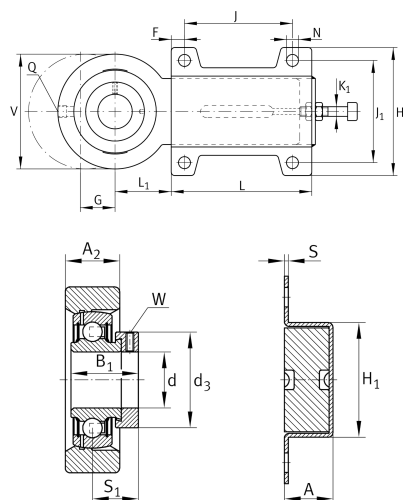
Schaeffler ID:  
0009649560000

★ Preferred product

Take-up housing units PHUSE, cast iron and sheet steel housing, radial insert ball bearing with eccentric locking collar, P seals

X-life

### Technical information



#### Main Dimensions & Performance Data

d	30 mm	Bore diameter
H	103 mm	Height flange
A	28 mm	Height housing
V	88 mm	Shoulder diameter housing
L	187 mm	Length total
C <sub>0rG</sub>	11.300 N	Load carrying capacity (housing)
	2,55 kg	Weight

#### Dimensions

L <sub>1</sub>	50 mm	Distance shaft axis
A <sub>2</sub>	22 mm	Width housing
H <sub>1</sub>	52 mm	Height guidance
K <sub>1</sub>	M12	Thread adjusting screw
S	4 mm	Thickness of flange
F	20 mm	Distance fixing bore outside
G	65 mm	Axial displacement
Q	M6	Connection thread lubrication

#### Mounting dimensions

N	11.5 mm	Fixing bore
J	140 mm	Distance fixing bore
J <sub>1</sub>	80 mm	Bore distance width

#### Additional information

HUE06	Housing
HUSE07	Housing (Part 2)
GRAE30-XL-NPP-B	Bearing designation