

★ PHUSE40-XL

Take-up housing unit

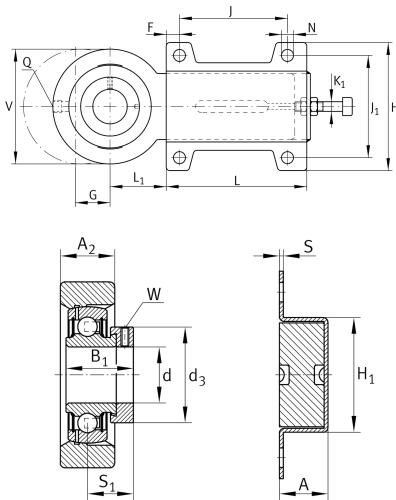
Schaeffler ID:
0009649990000

★ Preferred product

Take-up housing units PHUSE, cast iron and sheet steel housing, radial insert ball bearing with eccentric locking collar, P seals

X-life

Technical information



Main Dimensions & Performance Data

d	40 mm	Bore diameter
H	130 mm	Height flange
A	36 mm	Height housing
V	108 mm	Shoulder diameter housing
L	256 mm	Length total
C _{0rG}	19.800 N	Load carrying capacity (housing)
	4,87 kg	Weight

Dimensions

L ₁	60 mm	Distance shaft axis
A ₂	30 mm	Width housing
H ₁	60 mm	Height guidance
K ₁	M16	Thread adjusting screw
S	4 mm	Thickness of flange
F	20 mm	Distance fixing bore outside
G	80 mm	Axial displacement
Q	M6	Connection thread lubrication

Mounting dimensions

N	14 mm	Fixing bore
J	180 mm	Distance fixing bore
J ₁	100 mm	Bore distance width

Additional information

HUE08	Housing
HUSE10	Housing (Part 2)
GRAE40-XL-NPP-B	Bearing designation