



★ RCJL50-XL-N

Flanged housing unit

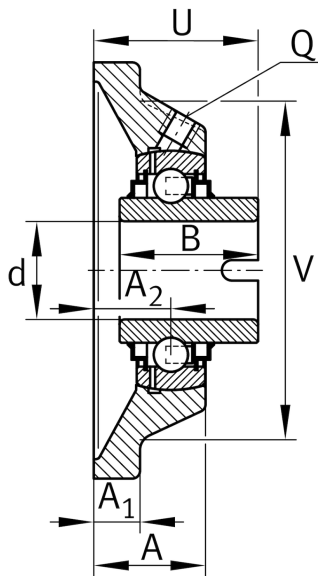
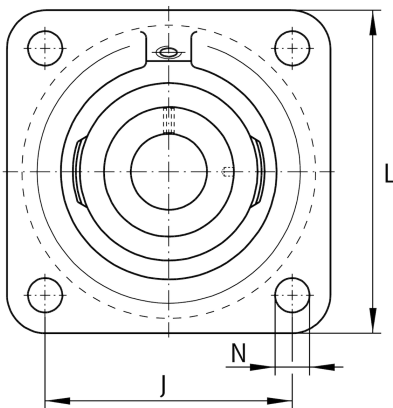
Schaeffler ID:
0009710810000

★ Preferred product

Housing units RCJL, four-bolt flanged housing units, cast iron, non-locating bearing, drive slot on inner ring, R seals

X-life

Technical information



Main Dimensions & Performance Data

| | | |
|----------|----------|-----------------------------------|
| d | 50 mm | Bore diameter |
| L | 143 mm | Flange width |
| U | 58,2 mm | Total height unit |
| C_r | 37.500 N | Basic dynamic load rating, radial |
| C_{0r} | 23.200 N | Basic static load rating, radial |
| C_{ur} | 1.210 N | Fatigue load limit, radial |
| | 2,44 kg | Weight |

Dimensions

| | | |
|-------|--------|-------------------------------|
| A | 41 mm | Height housing |
| A_1 | 13 mm | Thickness of flange |
| A_2 | 28 mm | Distance raceway |
| V | 119 mm | Shoulder diameter housing |
| Q | M6 | Connection thread lubrication |

Mounting dimensions

| | | |
|---|--------|--------------------------|
| J | 111 mm | Distance fixing bore |
| N | 18 mm | Fixing bore |
| n | 4 | Number of screwing holes |

Additional information

| | |
|----------------|---------------------|
| 1 | Number of housings |
| CJ10 | Housing |
| GLE50-XL-KRR-B | Bearing designation |
| KASK10 | Protecting cap |