



★ TTUE80-XL

Take-up housing unit

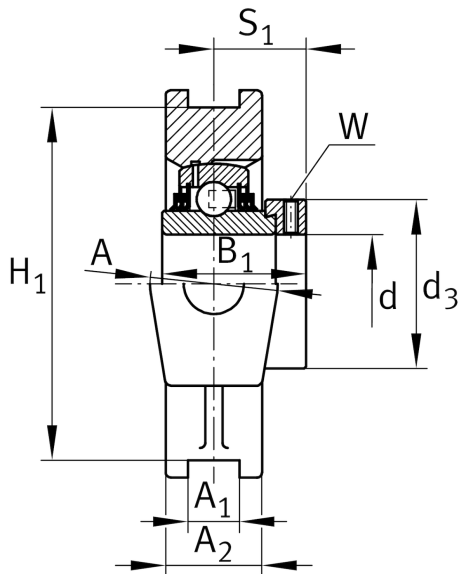
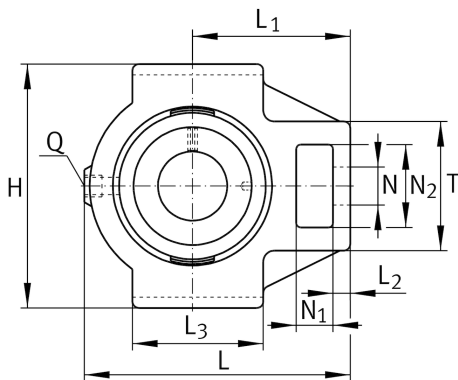
Schaeffler ID:
0009821640000

★ Preferred product

Take-up housing units TTUE, cast iron housing, radial insert ball bearing with eccentric locking collar, T seals

X-life

Technical information



Main Dimensions & Performance Data

d	80 mm	Bore diameter
H	184 mm	Height
L	230 mm	Length total
	7,7 kg	Weight

Dimensions

L ₁	140 mm	Distance shaft axis
L ₂	20 mm	Length fixed link
L ₃	120 mm	Length guidance groove
A	70 mm	Width housing fixing side
N ₁	35 mm	Width recess
N ₂	70 mm	Height recess
T	110 mm	Height housing fixing side
Q	M6	Connection thread lubrication
A ₂	50 mm	Width housing

Mounting dimensions

A ₁	28 mm	Width guidance groove
	H13	Width guidance groove clearance
H ₁	165 mm	Distance guidance grooves
	0,25 mm	Upper distance guidance groove tolerance
	-0,25 mm	Lower distance guidance groove tolerance
N	41 mm	Fixing bore

Additional information

TUE16	Housing
GE80-XL-KTT-B	Bearing designation