



## ★ RCJ50-XL-N

Flanged housing unit

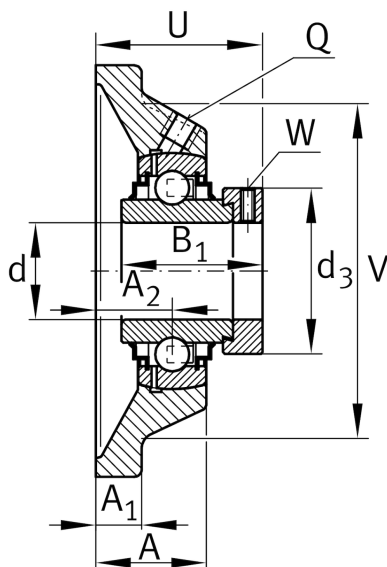
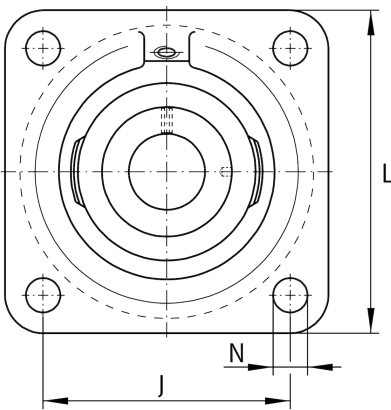
Schaeffler ID:  
0096423230000

Housing units RCJ, four-bolt flanged housing units, cast iron, eccentric locking collar, R seals

★ Preferred product

X-life

### Technical information



### Main Dimensions & Performance Data

d	50 mm	Bore diameter
L	143 mm	Flange width
U	66,2 mm	Total height unit
$C_r$	37.500 N	Basic dynamic load rating, radial
$C_{0r}$	23.200 N	Basic static load rating, radial
$C_{ur}$	1.210 N	Fatigue load limit, radial
	2,63 kg	Weight

### Dimensions

A	41 mm	Height housing
$A_1$	13 mm	Thickness of flange
$A_2$	28 mm	Distance raceway
V	119 mm	Shoulder diameter housing
Q	M6	Connection thread lubrication
$d_3$	69 mm	Outside diameter eccentric locking collar

### Mounting dimensions

J	111 mm	Distance fixing bore
N	18 mm	Fixing bore
n	4	Number of screwing holes

### Additional information

1	Number of housings
CJ10	Housing
GE50-XL-KRR-B	Bearing designation
KASK10	Protecting cap