

## ★ RASE20-XL-N

Plummer block housing unit

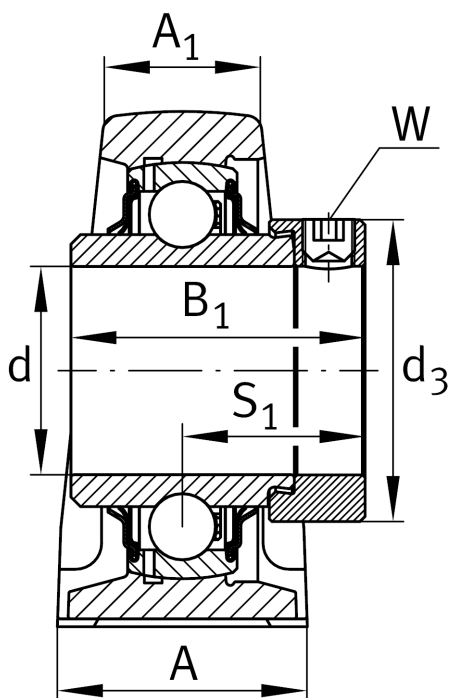
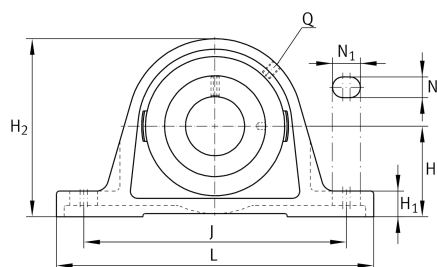
Schaeffler ID:  
0096426330000

★ Preferred product

Plummer block housing units RASE, cast iron housing, radial insert ball bearing with eccentric locking collar, R seals

X-life

### Technical information



### Main Dimensions & Performance Data

d	20 mm	Bore diameter
L	130 mm	Length total
H <sub>2</sub>	64 mm	Height
	0,63 kg	Weight

### Dimensions

H	33,3 mm	Distance shaft axis
A	32 mm	Width (base)
A <sub>1</sub>	19 mm	Width (head)
H <sub>1</sub>	14,5 mm	Height (base)
Q	M6	Connection thread lubrication

### Mounting dimensions

J	97,5 mm	Distance fixing bore
N	11 mm	Width (slot)
N <sub>1</sub>	19 mm	Length (slot)

### Additional information

ASE04	Housing
GE20-XL-KRR-B	Bearing designation
KASK04	Protecting cap