



★ RCJT20-XL-N

Flanged housing unit

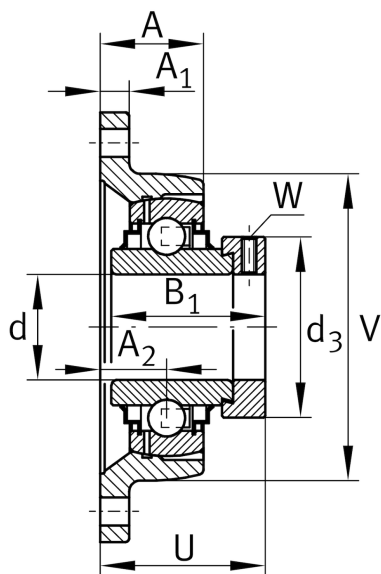
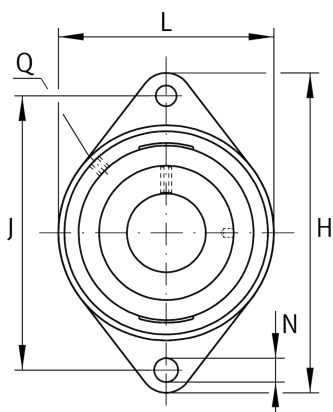
Schaeffler ID:
0096441480000

Housing units RCJT, two-bolt flanged housing units, cast iron, eccentric locking collar, R seals

★ Preferred product

X-life

Technical information



Main Dimensions & Performance Data

d	20 mm	Bore diameter
L	61 mm	Flange width
H	112 mm	Height flange
U	45,6 mm	Total height unit
C _r	13.600 N	Basic dynamic load rating, radial
C _{0r}	6.600 N	Basic static load rating, radial
C _{ur}	345 N	Fatigue load limit, radial
	0,48 kg	Weight

Dimensions

A	28 mm	Height housing
A ₁	10 mm	Thickness of flange
A ₂	19 mm	Distance raceway
V	61 mm	Shoulder diameter housing
Q	M6	Connection thread lubrication
d ₃	33 mm	Outside diameter eccentric locking collar

Mounting dimensions

J	90 mm	Distance fixing bore
N	11,5 mm	Fixing bore
n	2	Number of screwing holes

Additional information

1	Number of housings
CJT04	Housing
GE20-XL-KRR-B	Bearing designation
KASK04	Protecting cap