



★ RCJT40-XL-N

Flanged housing unit

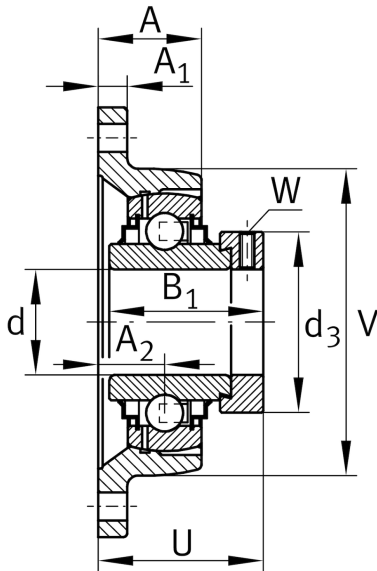
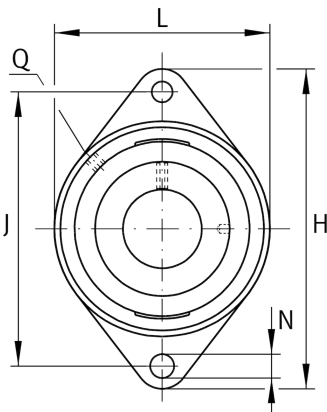
Schaeffler ID:
0096442700000

Housing units RCJT, two-bolt flanged housing units, cast iron, eccentric locking collar, R seals

★ Preferred product

X-life

Technical information



Main Dimensions & Performance Data

d	40 mm	Bore diameter
L	105 mm	Flange width
H	172 mm	Height flange
U	59,1 mm	Total height unit
C_r	34.500 N	Basic dynamic load rating, radial
C_{0r}	19.800 N	Basic static load rating, radial
C_{ur}	840 N	Fatigue load limit, radial
	1,68 kg	Weight

Dimensions

A	34,5 mm	Height housing
A_1	13 mm	Thickness of flange
A_2	24 mm	Distance raceway
V	105 mm	Shoulder diameter housing
Q	Rp1/8	Connection thread lubrication
d_3	58 mm	Outside diameter eccentric locking collar

Mounting dimensions

J	143,5 mm	Distance fixing bore
N	14 mm	Fixing bore
n	2	Number of screwing holes

Additional information

1	Number of housings
CJT08	Housing
GE40-XL-KRR-B	Bearing designation
KASK08	Protecting cap