

## ★ KH12-PP

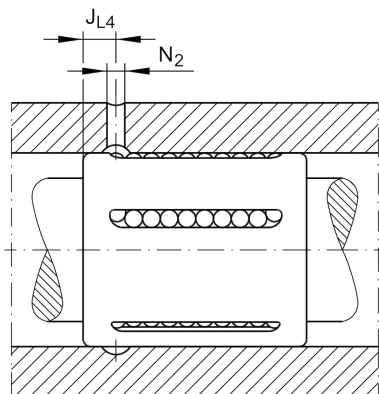
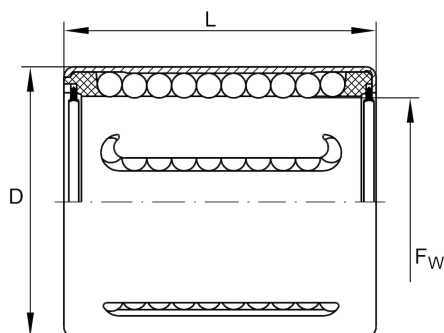
Linear ball bearing

Schaeffler ID:  
0000329210000

★ Preferred product

Linear ball bearings with initial greasing,  
sealed on both sides, with relubrication  
facility

### Technical information



### Main Dimensions & Performance Data

$F_w$	12 mm	Diameter shaft
D	19 mm	Outer diameter
L	28 mm	Länge
$C_{min}$	670 N	load capacity dyn.
$C_{0min}$	510 N	load capacity stat.
$C_{max}$	800 N	load capacity dyn.
$C_{0max}$	740 N	load capacity stat.
	18,39 g	Weight

### Mounting dimensions

$J_{L4}$	6 mm
$N_2$	2,5 mm

### Additional information

VMKB_065	KH	Material name
----------	----	---------------