



★ AXK130170-A/0-10

Axial needle roller and cage assembly

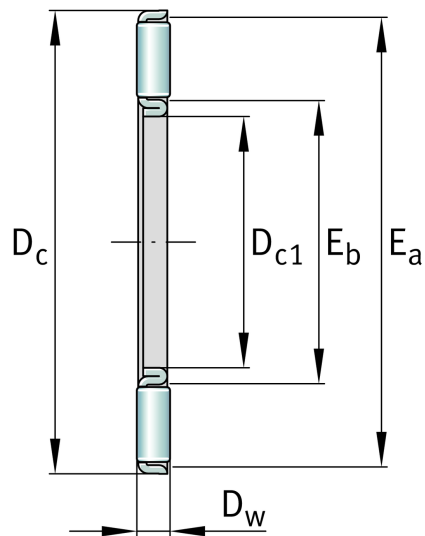
Schaeffler ID:
0000358669065

Axial needle roller and cage assemblies,
single direction, to DIN 5405-2

★ Preferred product

Technical information

Main Dimensions & Performance Data



D_{c1}	130 mm	Bore diameter cage
D_c	170 mm	Outside diameter
D_w	5 mm	Rolling element diameter
E_a	167 mm	Raceway dimension
E_b	136 mm	Raceway dimension
c_a	134.000 N	Basic dynamic load rating, axial
c_{0a}	840.000 N	Basic static load rating, axial
c_{ua}	77.000 N	Fatigue load limit, axial
n_G	1.920 1/min	Limiting speed
n_{gr}	760 N	Reference speed
	0,002 kg	Weight

Additional information

AS130170	Axial bearing washer
----------	----------------------

