

★ 81128-TV

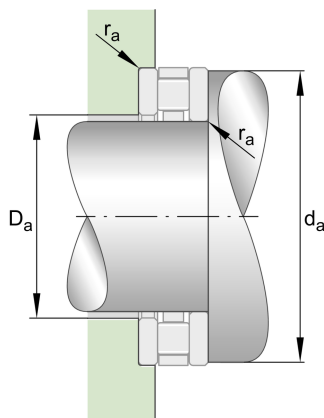
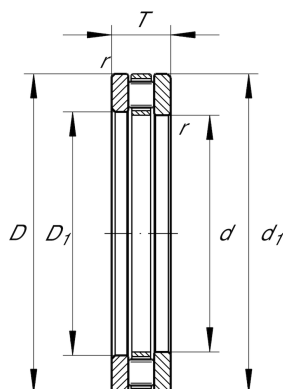
Axial cylindrical roller bearing

Schaeffler ID:
0000564800000

Axial cylindrical roller bearings 811, single direction, comprising K811, GS, WS

★ Preferred product

Technical information



Temperature range

T_{min}	120 °C	Operating temperature min.
T_{max}	-30 °C	Operating temperature max.
	1,762 kg	Weight

Main Dimensions & Performance Data

d	140 mm	Bore diameter
D	180 mm	Outside diameter
T	31 mm	Height
C_a	260.000 N	Basic dynamic load rating, axial
C_{0a}	960.000 N	Basic static load rating, axial
C_{ua}	84.000 N	Fatigue load limit, axial
n_G	1.800 1/min	Limiting speed
n_{gr}	710 1/min	Reference speed

Dimensions

D_1	142 mm	Bore diameter housing washer
d_1	178 mm	Rip diameter shaft washer
r_{min}	1 mm	Minimum chamfer dimension

Mounting dimensions

$d_{a min}$	175 mm	Minimum diameter shaft shoulder
$D_{a max}$	145 mm	Maximum diameter of housing shoulder
$r_{a max}$	1 mm	Maximum recess radius

Additional information

K81128-TV	Axial roller and cage assembly
GS81128	Housing Washer
WS81128	Shaft washer
LS140180	Track Washer