

★ 81130-TV

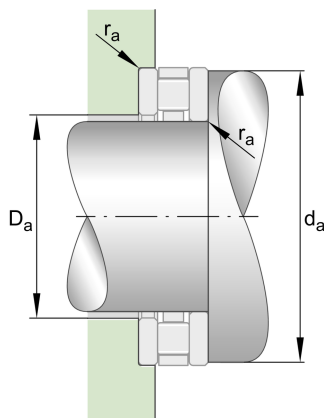
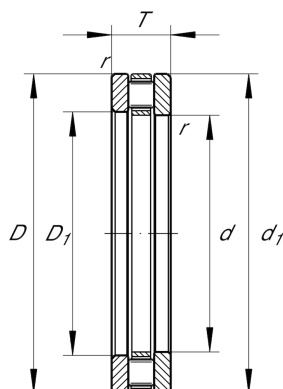
Axial cylindrical roller bearing

Schaeffler ID:
0000565020000

Axial cylindrical roller bearings 811, single direction, comprising K811, GS, WS

★ Preferred product

Technical information



Temperature range

T_{\min}	120 °C	Operating temperature min.
T_{\max}	-30 °C	Operating temperature max.
	1,875 kg	Weight

Main Dimensions & Performance Data

d	150 mm	Bore diameter
D	190 mm	Outside diameter
T	31 mm	Height
C_a	270.000 N	Basic dynamic load rating, axial
C_{0a}	1.020.000 N	Basic static load rating, axial
C_{ua}	88.000 N	Fatigue load limit, axial
n_G	1.690 1/min	Limiting speed
n_{gr}	660 1/min	Reference speed

Dimensions

D_1	152 mm	Bore diameter housing washer
d_1	188 mm	Rip diameter shaft washer
r_{\min}	1 mm	Minimum chamfer dimension

Mounting dimensions

$d_{a \min}$	185 mm	Minimum diameter shaft shoulder
$D_{a \max}$	155 mm	Maximum diameter of housing shoulder
$r_{a \max}$	1 mm	Maximum recess radius

Additional information

K81130-TV	Axial roller and cage assembly
GS81130	Housing Washer
WS81130	Shaft washer
LS150190	Track Washer