

★ 81222-TV

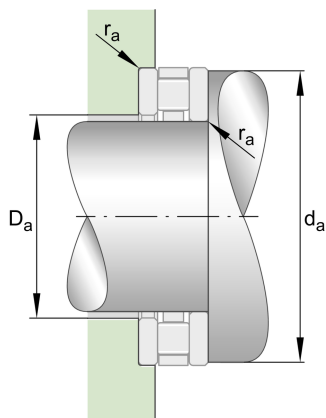
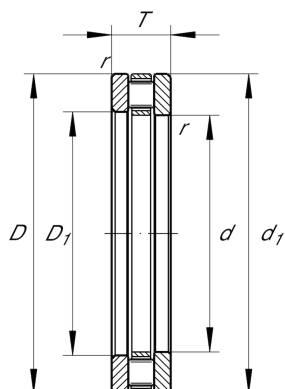
Axial cylindrical roller bearing

Schaeffler ID:
0000568040000

Axial cylindrical roller bearings 812, single direction, comprising K812, GS, WS

★ Preferred product

Technical information



Temperature range

T_{min}	-30 °C	Operating temperature min.
T_{max}	120 °C	Operating temperature max.
	2,335 kg	Weight

Main Dimensions & Performance Data

d	110 mm	Bore diameter
D	160 mm	Outside diameter
T	38 mm	Height
C_a	325.000 N	Basic dynamic load rating, axial
C_{0a}	1.030.000 N	Basic static load rating, axial
C_{ua}	106.000 N	Fatigue load limit, axial
n_G	2.130 1/min	Limiting speed
n_{gr}	860 1/min	Reference speed

Dimensions

D_1	113 mm	Bore diameter housing washer
d_1	160 mm	Rip diameter shaft washer
r_{min}	1,1 mm	Minimum chamfer dimension

Mounting dimensions

$d_{a min}$	152 mm	Minimum diameter shaft shoulder
$D_{a max}$	117 mm	Maximum diameter of housing shoulder
$r_{a max}$	1,1 mm	Maximum recess radius

Additional information

K81222-TV	Axial roller and cage assembly
GS81222	Housing Washer
WS81222	Shaft washer
LS150190	Track Washer