

★ AXW30

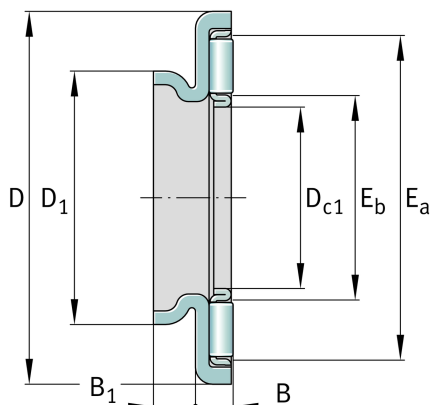
Axial needle roller bearing

Schaeffler ID:
0001616590000

Axial needle roller bearings, single
direction, AXK with axial bearing washer

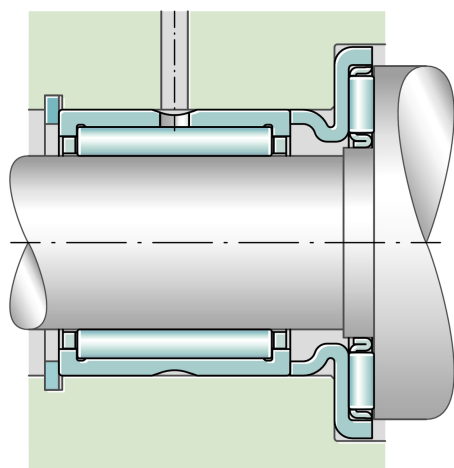
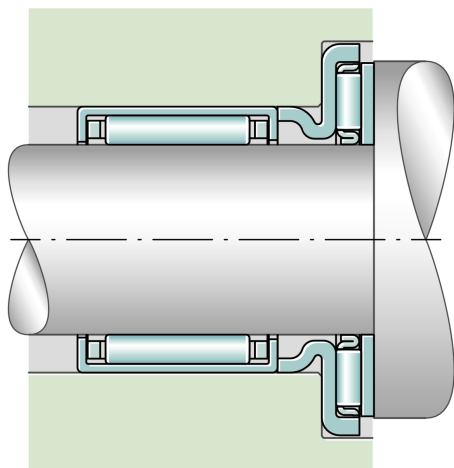
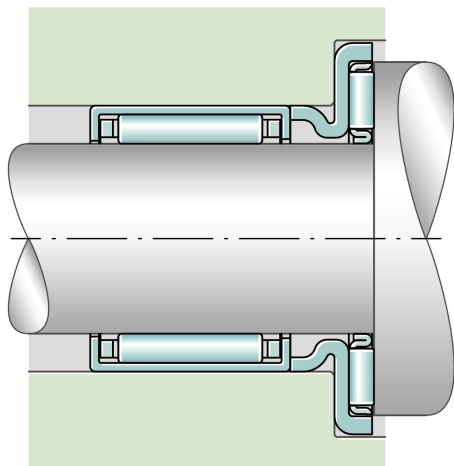
★ Preferred product

Technical information



Main Dimensions & Performance Data

| | | |
|----------|-------------|-----------------------------------|
| D_{c1} | 30 mm | Bore diameter cage |
| D | 50 mm | Outside diameter bearing washer |
| B | 3,2 mm | Height bearing |
| B_1 | 4 mm | Height centering collar |
| D_1 | 37 mm | Outside diameter centering collar |
| E_a | 46 mm | Raceway dimension |
| E_b | 34 mm | Raceway dimension |
| C | 16.400 N | Basic dynamic load rating, axial |
| C_{0a} | 70.000 N | Basic static load rating, axial |
| c_{ua} | 7.200 N | Fatigue load limit, axial |
| n_G | 7.500 1/min | Limiting speed |
| n_{gr} | 3.800 1/min | Reference speed |
| | 23,41 g | Weight |



Additional information

| | |
|-----------|-----------------------------------------------------------------|
| AS3047 | Axial bearing washer |
| HK3018-RS | Drawn cup needle roller bearings turned |
| HK3016 | Drawn cup needle roller bearings |
| HK3020 | Drawn cup needle roller bearings |
| HK3026 | Drawn cup needle roller bearings |
| HK3038-ZW | Drawn cup needle roller bearings |
| HK3012 | Drawn cup needle roller bearings for radial bearing arrangement |
| BK3012 | Needle bush |
| BK3016 | Needle bush |
| BK3020 | Needle bush |
| BK3026 | Needle bush |
| BK3038-ZW | Needle bush |
| NA4904 | Needle roller bearings with inner ring |
| NA6904 | Needle roller bearings with inner ring |
| NK28/20 | Needle roller bearings with out inner ring |
| NK28/30 | Needle roller bearings with out inner ring |
| NKS24 | Needle roller bearings with out inner ring |
| RNA4904 | Needle roller bearings with out inner ring |
| RNA6904 | Needle roller bearings with out inner ring |