

★ AXW35

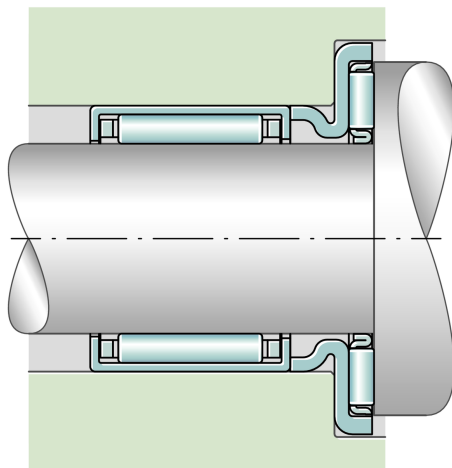
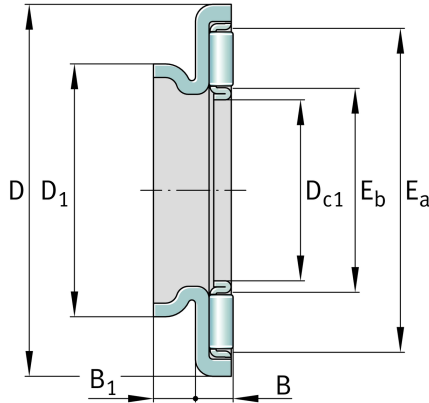
Axial needle roller bearing

Schaeffler ID:
0001621160000

Axial needle roller bearings, single direction, AXK with axial bearing washer

★ Preferred product

Technical information



Main Dimensions & Performance Data

D_{c1}	35 mm	Bore diameter cage
D	55 mm	Outside diameter bearing washer
B	3,2 mm	Height bearing
B_1	4 mm	Height centering collar
D_1	42 mm	Outside diameter centering collar
E_a	51 mm	Raceway dimension
E_b	39 mm	Raceway dimension
C	17.900 N	Basic dynamic load rating, axial
C_{0a}	81.000 N	Basic static load rating, axial
c_{ua}	8.400 N	Fatigue load limit, axial
n_G	6.600 1/min	Limiting speed
$n_{\vartheta r}$	3.250 1/min	Reference speed
	26,31 g	Weight

Additional information

AS3552	Axial bearing washer
HK3518-RS	Drawn cup needle roller bearings turned
HK3516	Drawn cup needle roller bearings
HK3520	Drawn cup needle roller bearings
HK3512	Drawn cup needle roller bearings for radial bearing arrangement
BK3520	Needle bush
NKIS20	Needle roller bearings with inner ring
NA4905	Needle roller bearings with inner ring
NA6905	Needle roller bearings with inner ring
NK128/20-TV	Needle roller bearings with inner ring
NK128/30	Needle roller bearings with inner ring
NK32/20-TV	Needle roller bearings with out inner ring
NK32/30	Needle roller bearings with out inner ring
NKS28	Needle roller bearings with out inner ring
RNA4905	Needle roller bearings with out inner ring
RNA6905	Needle roller bearings with out inner ring

