

★ KH10-PP

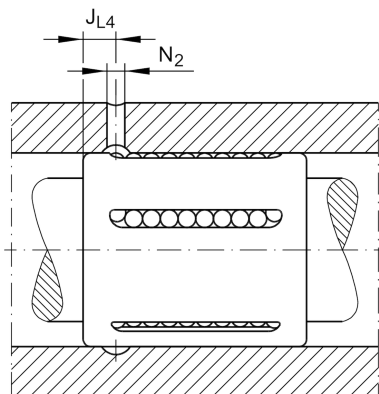
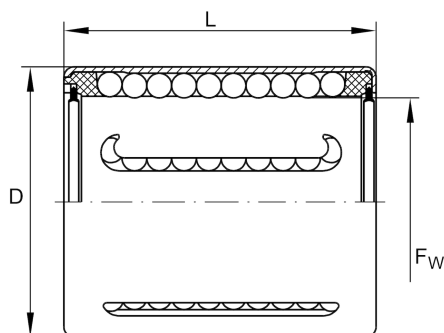
Linear ball bearing

Schaeffler ID:
0002016000000

★ Preferred product

Linear ball bearings with initial greasing,
sealed on both sides, with relubrication
facility

Technical information



Main Dimensions & Performance Data

F_w	10 mm	Diameter shaft
D	17 mm	Outer diameter
L	26 mm	Länge
C_{min}	510 N	load capacity dyn.
C_{0min}	370 N	load capacity stat.
C_{max}	590 N	load capacity dyn.
C_{0max}	520 N	load capacity stat.
	14,95 g	Weight

Mounting dimensions

J_{L4}	6 mm
N_2	2,5 mm

Additional information

VMKB_065	KH	Material name
----------	----	---------------