

## ★ KH08-PP

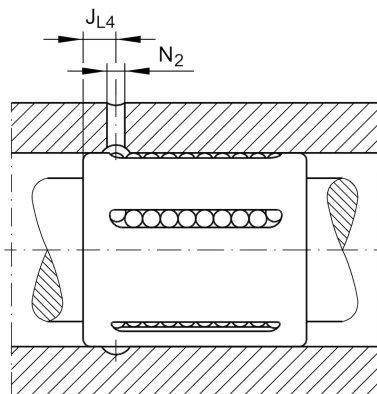
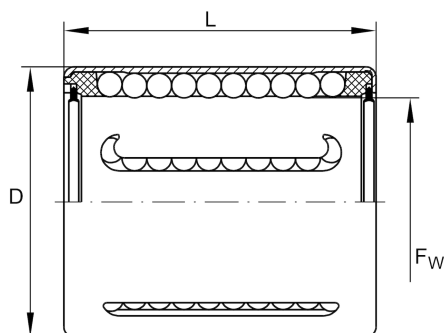
Linear ball bearing

Schaeffler ID:  
0002056300000

★ Preferred product

Linear ball bearings with initial greasing,  
sealed on both sides, with relubrication  
facility

### Technical information



#### Main Dimensions & Performance Data

$F_w$	8 mm	Diameter shaft
D	15 mm	Outer diameter
L	24 mm	Länge
$C_{min}$	410 N	load capacity dyn.
$C_{0min}$	280 N	load capacity stat.
$C_{max}$	475 N	load capacity dyn.
$C_{0max}$	400 N	load capacity stat.
	12,05 g	Weight

#### Mounting dimensions

$J_{L4}$	6 mm
$N_2$	2 mm

#### Additional information

VMKB_065	KH	Material name
----------	----	---------------