

★ 81104-TV

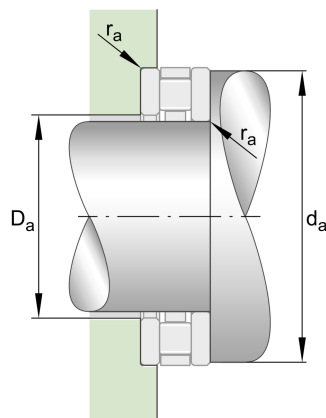
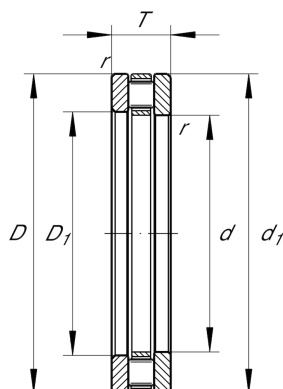
Axial cylindrical roller bearing

Schaeffler ID:
0002402650000

Axial cylindrical roller bearings 811, single direction, comprising K811, GS, WS

★ Preferred product

Technical information



Temperature range

T_{min}	120 °C	Operating temperature min.
T_{max}	-30 °C	Operating temperature max.
	34,2 g	Weight

Main Dimensions & Performance Data

d	20 mm	Bore diameter
D	35 mm	Outside diameter
T	10 mm	Height
C_a	24.900 N	Basic dynamic load rating, axial
C_{0a}	53.000 N	Basic static load rating, axial
C_{ua}	7.500 N	Fatigue load limit, axial
n_G	10.500 1/min	Limiting speed
n_{gr}	4.300 1/min	Reference speed

Dimensions

D_1	21 mm	Bore diameter housing washer
d_1	35 mm	Rip diameter shaft washer
r_{min}	0,3 mm	Minimum chamfer dimension

Mounting dimensions

$d_{a min}$	34 mm	Minimum diameter shaft shoulder
$D_{a max}$	21 mm	Maximum diameter of housing shoulder
$r_{a max}$	0,3 mm	Maximum recess radius

Additional information

K81104-TV	Axial roller and cage assembly
GS81104	Housing Washer
WS81104	Shaft washer
LS2035	Track Washer