

★ 81106-TV

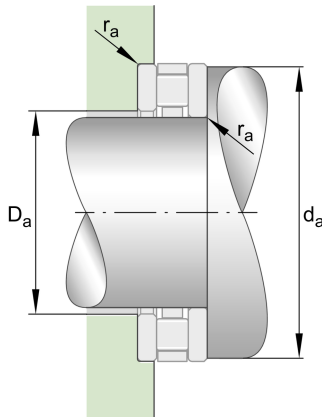
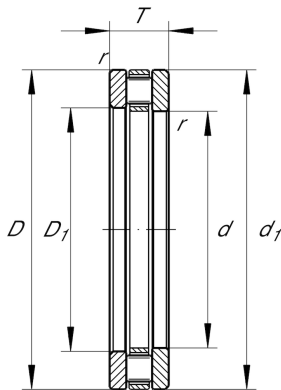
Axial cylindrical roller bearing

Schaeffler ID:
0002402810000

Axial cylindrical roller bearings 811, single direction, comprising K811, GS, WS

★ Preferred product

Technical information



Temperature range

T_{\min}	120 °C	Operating temperature min.
T_{\max}	-30 °C	Operating temperature max.
	58 g	Weight

Main Dimensions & Performance Data

d	30 mm	Bore diameter
D	47 mm	Outside diameter
T	11 mm	Height
C_a	35.500 N	Basic dynamic load rating, axial
C_{0a}	86.000 N	Basic static load rating, axial
C_{ua}	8.200 N	Fatigue load limit, axial
n_G	7.500 1/min	Limiting speed
n_{gr}	3.050 1/min	Reference speed

Dimensions

D_1	32 mm	Bore diameter housing washer
d_1	47 mm	Rip diameter shaft washer
r_{\min}	0,6 mm	Minimum chamfer dimension

Mounting dimensions

$d_{a \min}$	46 mm	Minimum diameter shaft shoulder
$D_{a \max}$	31 mm	Maximum diameter of housing shoulder
$r_{a \max}$	0,6 mm	Maximum recess radius

Additional information

K81106-TV	Axial roller and cage assembly
GS81106	Housing Washer
WS81106	Shaft washer
LS3047	Track Washer