

★ 81110-TV

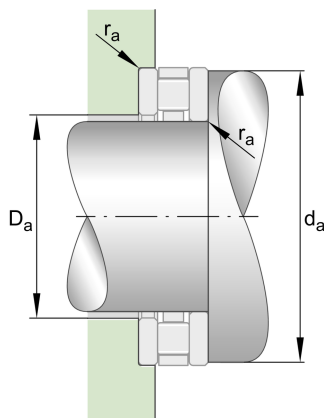
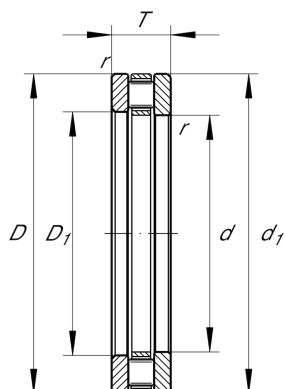
Axial cylindrical roller bearing

Schaeffler ID:
0002403460000

Axial cylindrical roller bearings 811, single direction, comprising K811, GS, WS

★ Preferred product

Technical information



Temperature range

T_{\min}	120 °C	Operating temperature min.
T_{\max}	-30 °C	Operating temperature max.
	0,001 kg	Weight

Main Dimensions & Performance Data

d	50 mm	Bore diameter
D	70 mm	Outside diameter
T	14 mm	Height
C_a	62.000 N	Basic dynamic load rating, axial
C_{0a}	177.000 N	Basic static load rating, axial
C_{ua}	17.700 N	Fatigue load limit, axial
n_G	4.900 1/min	Limiting speed
n_{gr}	1.840 1/min	Reference speed

Dimensions

D_1	52 mm	Bore diameter housing washer
d_1	70 mm	Rip diameter shaft washer
r_{\min}	0,6 mm	Minimum chamfer dimension

Mounting dimensions

$d_{a \min}$	68 mm	Minimum diameter shaft shoulder
$D_{a \max}$	52 mm	Maximum diameter of housing shoulder
$r_{a \max}$	0,6 mm	Maximum recess radius

Additional information

K81110-TV	Axial roller and cage assembly
GS81110	Housing Washer
WS81110	Shaft washer
LS5070	Track Washer