

## ★ 81118-TV

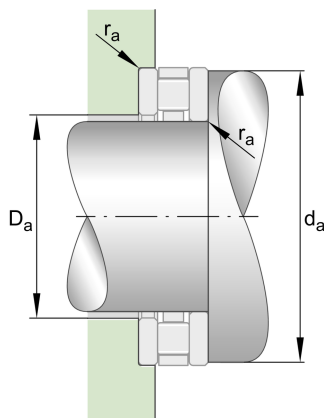
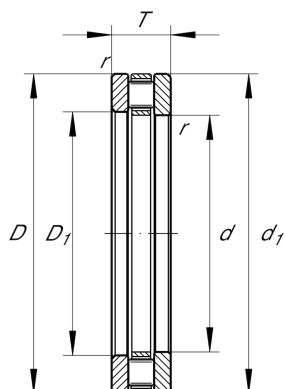
Axial cylindrical roller bearing

Schaeffler ID:  
0003618100000

Axial cylindrical roller bearings 811, single direction, comprising K811, GS, WS

★ Preferred product

### Technical information



#### Temperature range

$T_{\min}$	120 °C	Operating temperature min.
$T_{\max}$	-30 °C	Operating temperature max.
	0,611 kg	Weight

#### Main Dimensions & Performance Data

d	90 mm	Bore diameter
D	120 mm	Outside diameter
T	22 mm	Height
$C_a$	141.000 N	Basic dynamic load rating, axial
$C_{0a}$	465.000 N	Basic static load rating, axial
$C_{ua}$	41.000 N	Fatigue load limit, axial
$n_G$	2.750 1/min	Limiting speed
$n_{gr}$	1.070 1/min	Reference speed

#### Dimensions

$D_1$	92 mm	Bore diameter housing washer
$d_1$	120 mm	Rip diameter shaft washer
$r_{\min}$	1 mm	Minimum chamfer dimension

#### Mounting dimensions

$d_{a\min}$	117 mm	Minimum diameter shaft shoulder
$D_{a\max}$	93 mm	Maximum diameter of housing shoulder
$r_{a\max}$	1 mm	Maximum recess radius

#### Additional information

K81118-TV	Axial roller and cage assembly
GS81118	Housing Washer
WS81118	Shaft washer
LS90120	Track Washer