

## ★ 81116-TV

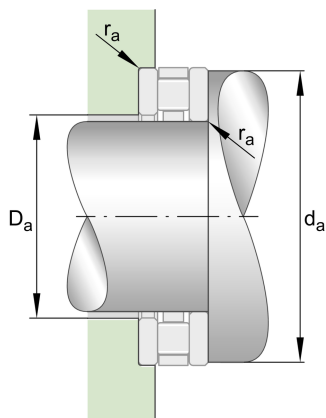
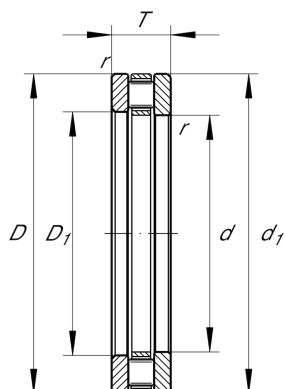
Axial cylindrical roller bearing

Schaeffler ID:  
0003618280000

Axial cylindrical roller bearings 811, single direction, comprising K811, GS, WS

★ Preferred product

### Technical information



#### Temperature range

$T_{min}$	120 °C	Operating temperature min.
$T_{max}$	-30 °C	Operating temperature max.
	0,004 kg	Weight

#### Main Dimensions & Performance Data

d	80 mm	Bore diameter
D	105 mm	Outside diameter
T	19 mm	Height
$C_a$	106.000 N	Basic dynamic load rating, axial
$C_{0a}$	350.000 N	Basic static load rating, axial
$C_{ua}$	36.000 N	Fatigue load limit, axial
$n_G$	3.100 1/min	Limiting speed
$n_{gr}$	1.170 1/min	Reference speed

#### Dimensions

$D_1$	82 mm	Bore diameter housing washer
$d_1$	105 mm	Rip diameter shaft washer
$r_{min}$	1 mm	Minimum chamfer dimension

#### Mounting dimensions

$d_{a min}$	102 mm	Minimum diameter shaft shoulder
$D_{a max}$	83 mm	Maximum diameter of housing shoulder
$r_{a max}$	1 mm	Maximum recess radius

#### Additional information

K81116-TV	Axial roller and cage assembly
GS81116	Housing Washer
WS81116	Shaft washer
LS80105	Track Washer